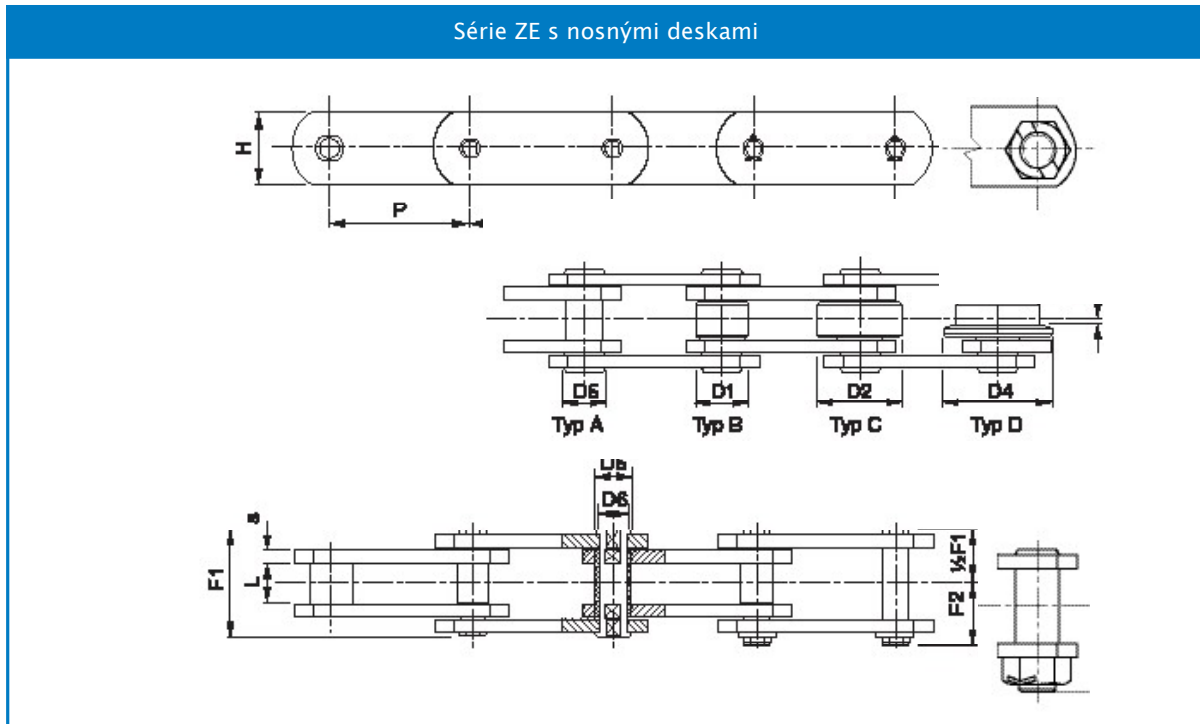


## Dopravní řetězy

Série M

Dopravní řetězy metrické (DIN 8167)



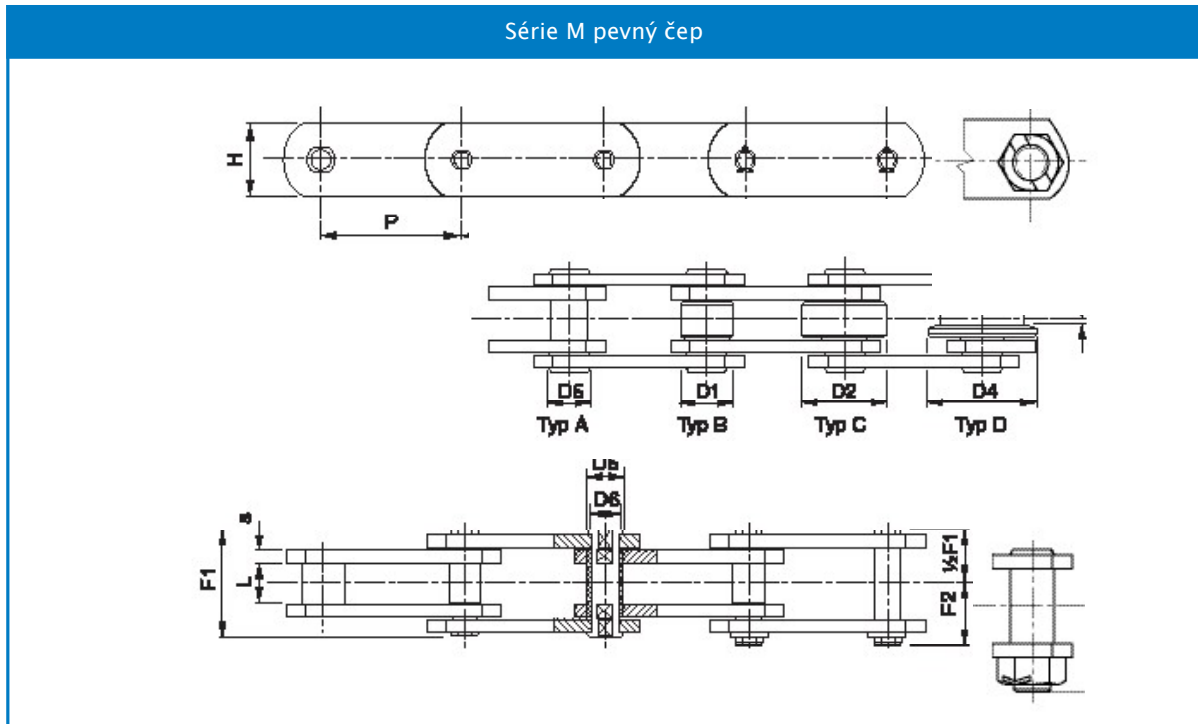
### Pevný čep

Č. řetězu	Rozteč P	L	G	H	S	F1	F2	D1	D2	D4	D5	D6	Mezní zatížení kN	Hmotnost (Typ C) kg/m
M 20	40	16	3.5	18	2.5	33.0	19.0	12.5	25	32	9	6	20	2.4
"	50	"	"	"	"	"	"	"	"	"	"	"	"	2.0
"	63	"	"	"	"	"	"	"	"	"	"	"	"	1.8
"	80	"	"	"	"	"	"	"	"	"	"	"	"	1.6
M28	50	18	4.0	20	3	36.0	20.5	15.0	30	36	10	7	28	3.3
"	63	"	"	"	"	"	"	"	"	"	"	"	"	2.8
"	80	"	"	"	"	"	"	"	"	"	"	"	"	2.5
"	100	"	"	"	"	"	"	"	"	"	"	"	"	2.1
M 40	63	20	4.5	25	4	40.5	24.0	18.0	36	45	11	8	40	4.4
"	80	"	"	"	"	"	"	"	"	"	"	"	"	3.7
"	100	"	"	"	"	"	"	"	"	"	"	"	"	3.2
"	125	"	"	"	"	"	"	"	"	"	"	"	"	2.9
M 56	63	24	7.0	30	4	45.0	26.0	21.0	42	50	15	10	56	6.8
"	80	"	"	"	"	"	"	"	"	"	"	"	"	5.7
"	100	"	"	"	"	"	"	"	"	"	"	"	"	5.0
"	125	"	"	"	"	"	"	"	"	"	"	"	"	4.4
"	160	"	"	"	"	"	"	"	"	"	"	"	"	3.9
M 80	80	28	7.0	35	5	54.5	30.5	25.0	50	60	18	12	80	9.2
"	100	"	"	"	"	"	"	"	"	"	"	"	"	7.9
"	125	"	"	"	"	"	"	"	"	"	"	"	"	6.9
"	160	"	"	"	"	"	"	"	"	"	"	"	"	6.0
"	200	"	"	"	"	"	"	"	"	"	"	"	"	5.3

## Dopravní řetězy

Série M

Dopravní řetězy metrické (DIN 8167)



### Pevný čep

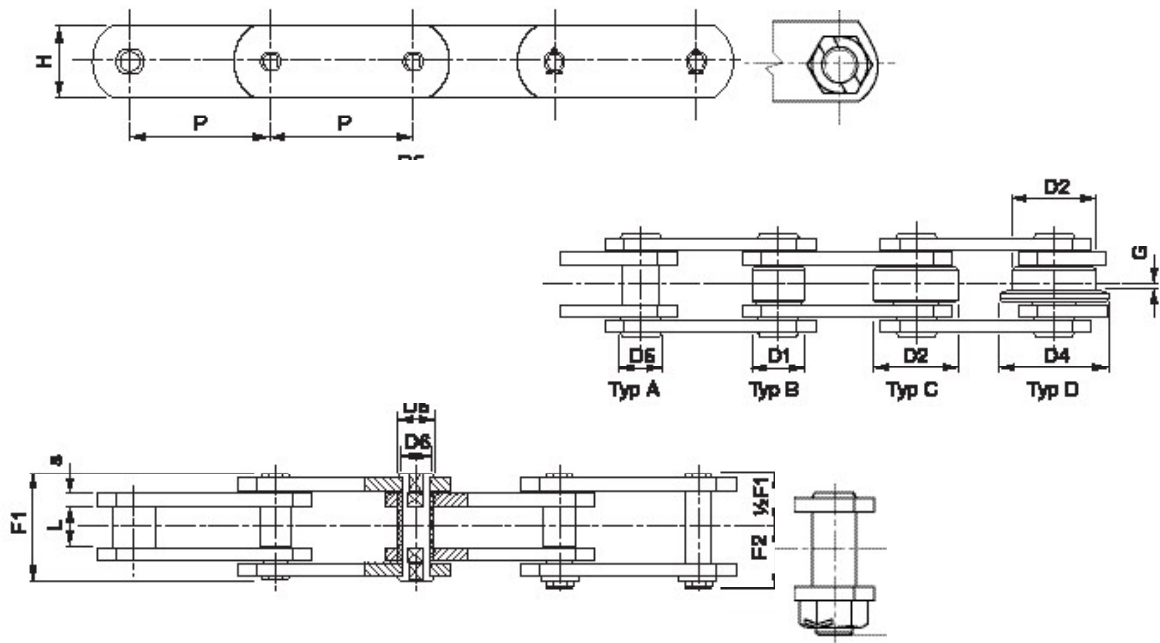
Č. řetězu	Rozteč P	L	G	H	S	F1	F2	D1	D2	D4	D5	D6	Mezní zatížení kN	Hmotnost (Typ C) kg/m
M 112	80	32	7.5	40	6	63	36.0	30	60	75	21	15	112	14.0
"	100	"	"	"	"	"	"	"	"	"	"	"	"	12.0
"	125	"	"	"	"	"	"	"	"	"	"	"	"	10.4
"	160	"	"	"	"	"	"	"	"	"	"	"	"	9.0
"	200	"	"	"	"	"	"	"	"	"	"	"	"	7.9
M 160	100	37	8.5	50	7	72	41.5	36	70	90	25	18	160	18.9
"	125	"	"	"	"	"	"	"	"	"	"	"	"	16.3
"	160	"	"	"	"	"	"	"	"	"	"	"	"	14.0
"	200	"	"	"	"	"	"	"	"	"	"	"	"	12.2
"	250	"	"	"	"	"	"	"	"	"	"	"	"	11.0
M 224	125	43	10.0	60	8	84	47.0	42	85	105	30	21	224	25.8
"	160	"	"	"	"	"	"	"	"	"	"	"	"	22.0
"	200	"	"	"	"	"	"	"	"	"	"	"	"	19.0
"	250	"	"	"	"	"	"	"	"	"	"	"	"	16.7
"	315	"	"	"	"	"	"	"	"	"	"	"	"	14.9
M 315	160	48	10.5	70	10	97	55.0	50	100	124	36	25	315	33.3
"	200	"	"	"	"	"	"	"	"	"	"	"	"	28.7
"	250	"	"	"	"	"	"	"	"	"	"	"	"	25.2
"	315	"	"	"	"	"	"	"	"	"	"	"	"	22.3
"	400	"	"	"	"	"	"	"	"	"	"	"	"	20.0

## Dopravní řetězy

Série M

Dopravní řetězy metrické (DIN 8167)

Série M pevný čep



### Pevný čep

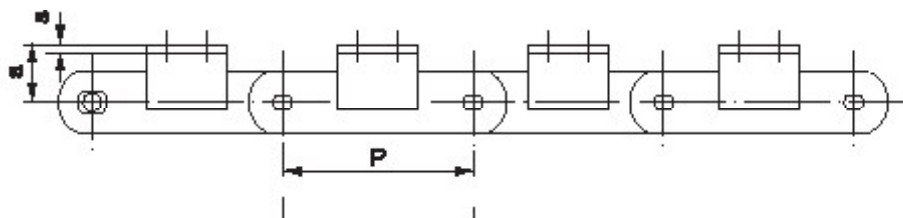
Č. řetězu	Rozteč P	L	G	H	S	F1	F2	D1	D2	D4	D5	D6	Mezní zatížení kN	Hmotnost (Typ C) kg/m
M 450	200	56	11.5	80	12	114	67.0	60	120	149	42	30	450	40.5
"	250	"	"	"	"	"	"	"	"	"	"	"	"	39.5
"	315	"	"	"	"	"	"	"	"	"	"	"	"	34.5
"	400	"	"	"	"	"	"	"	"	"	"	"	"	30.5
M 630	250	67	15.0	100	14	137	87.5	70	140	170	50	36	630	64.0
"	315	"	"	"	"	"	"	"	"	"	"	"	"	55.5
"	400	"	"	"	"	"	"	"	"	"	"	"	"	49.0
"	500	"	"	"	"	"	"	"	"	"	"	"	"	43.6
M 900	250	78	17.0	120	16	153	95.0	85	170	210	60	44	900	98.3
"	315	"	"	"	"	"	"	"	"	"	"	"	"	84.2
"	400	"	"	"	"	"	"	"	"	"	"	"	"	72.5
"	500	"	"	"	"	"	"	"	"	"	"	"	"	63.8
"	600	"	"	"	"	"	"	"	"	"	"	"	"	56.6

## Unášeče pro dopravní řetězy

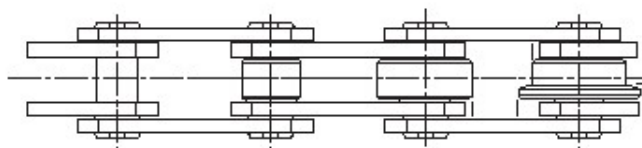
Unášeče Série M

Dopravní řetězy metrické (DIN 8167)

Unášeče Série M



**Poznámka:** Unášeče jsou také k dispozici v provedení s 1, 2 nebo 3 díry a K1, K2 a K3 (oboustranné)

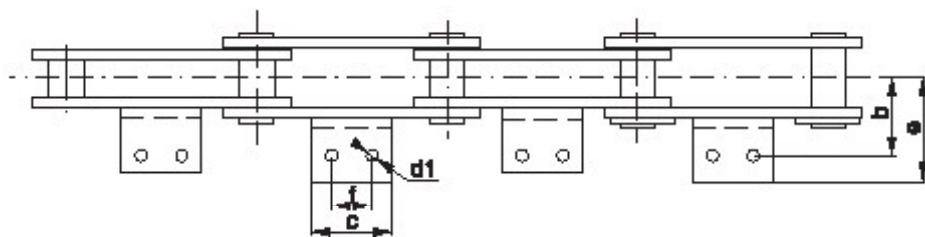


Typ A

Typ B

Typ C

Typ D



Č. řetězu	Rozteč P	a	b	c	d1	e	f	Svařovaný nebo inte- grální unášeč	Hmotnost řetězu - bez unášeče kg/metr				Hmotnost unášeče (A2) kg každý
									Type A	Type B	Type C	Type D	
M 20	40	16	27	14	6.6	40	*	#	1.10	1.3	2.4	2.5	0.02
"	50	"	"	14	"	"	*	#	1.01	1.3	2.0	2.1	0.02
"	63	"	"	35	"	"	20	25x3	0.99	1.2	1.8	1.9	0.04
"	80	"	"	50	"	"	35	"	0.90	1.1	1.6	1.6	0.06
M 28	50	20	32	20	9	47	*	20x3	1.60	1.9	3.3	3.4	0.02
"	63	"	"	20	"	"	*	30x3	1.50	1.7	2.8	2.9	0.02
"	80	"	"	45	"	"	25	"	1.40	1.6	2.5	2.6	0.05
"	100	"	"	60	"	"	40	"	1.30	1.5	2.1	2.2	0.08
M 40	63	25	35	31	9	50	*	# 30x4	2.25	2.6	4.4	4.6	0.04
"	80	"	"	45	"	"	20	# "	2.00	2.3	3.7	3.9	0.07
"	100	"	"	60	"	"	40	# "	1.90	2.1	3.2	3.4	0.10
"	125	"	"	85	"	"	65	"	1.80	2.0	2.9	3.0	0.15
M 56	63	30	44	22	11	61	*	40x4	3.40	3.9	6.8	7.2	0.05
"	80	"	"	30	"	"	*	"	3.00	3.4	5.7	6.0	0.07
"	100	"	"	50	"	"	25	"	2.80	3.1	5.0	5.2	0.12
"	125	"	"	75	"	"	50	"	2.60	2.9	4.4	4.5	0.18
"	160	"	"	110	"	"	85	"	2.54	2.7	3.9	4.1	0.27
M 80	80	35	48	30	11	65	*	# 40x4	4.70	5.4	9.2	9.4	0.07
"	100	"	"	50	"	"	25	# "	4.30	4.8	7.9	8.0	0.12
"	125	"	"	75	"	"	50	# "	4.00	4.4	6.9	7.0	0.18
"	160	"	"	110	"	"	85	# "	3.70	4.0	6.0	6.1	0.27
"	200	"	"	150	"	"	125	# "	3.50	3.8	5.3	5.4	0.36

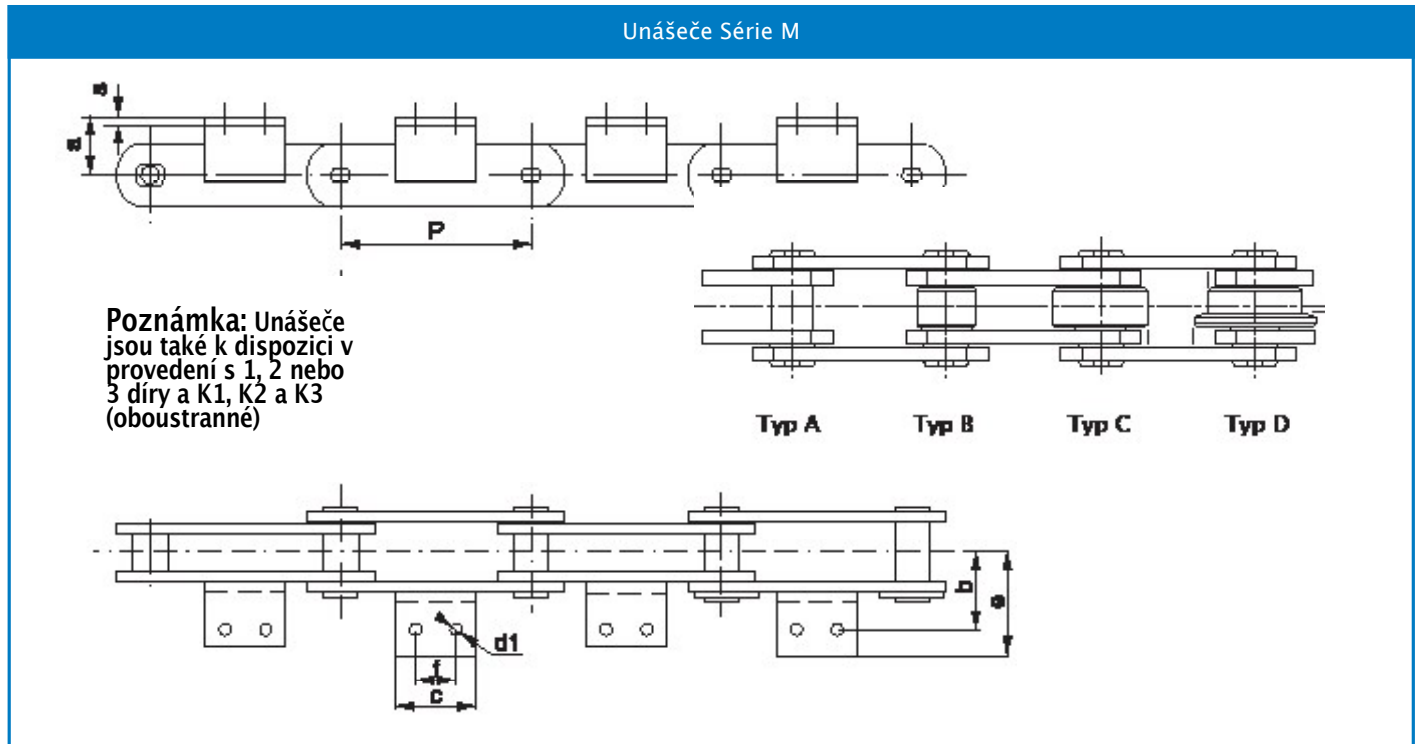
\* Unášeč s jednou dírou

# Integrovaný unášeč

## Unášeče pro dopravní řetězy

Unášeče Série M

Dopravní řetězy metrické (DIN 8167)

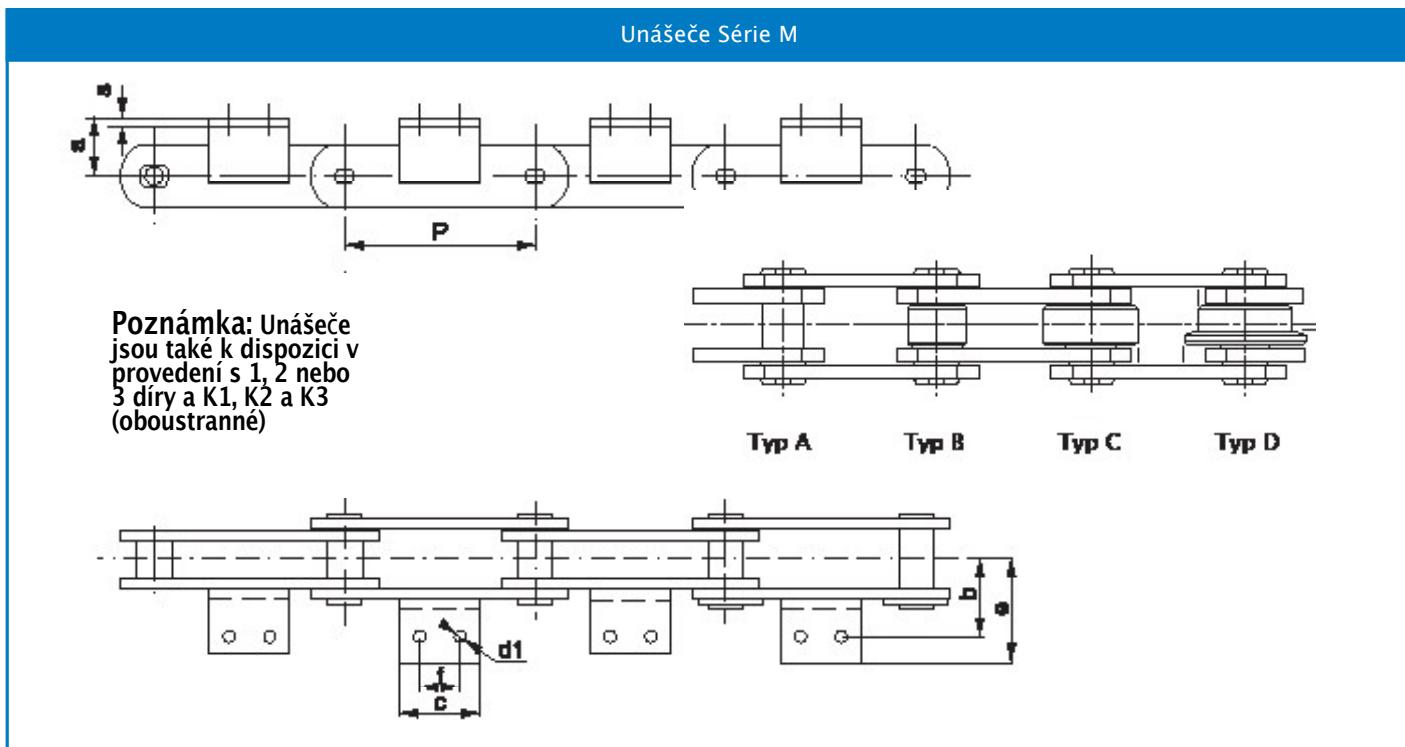


Č. řetězu	Rozteč P	a	b	c	d1	e	f	Svařovaný nebo integrální unášeč	Hmotnost řetězu - bez unášeče kg/m				Hmotnost unášeče (A2) kg každý
									Type A	Type B	Type C	Type D	
M 112	80	40	55	28	14	80	*	50x6	6.8	8.0	14.0	14.7	0.13
"	100	"	"	40	"	"	*	"	6.2	7.2	12.0	12.5	0.18
"	125	"	"	65	"	"	35	"	5.7	6.5	10.4	10.8	0.30
"	160	"	"	95	"	"	65	"	5.3	5.9	9.0	9.3	0.44
"	200	"	"	130	"	"	100	"	5.0	5.5	7.9	8.2	0.59
M 160	100	45	62	30	14	85	*	50x6	9.7	11.2	18.9	20.2	0.13
"	125	"	"	50	"	"	25	"	8.9	10.0	16.3	18.1	0.23
"	160	"	"	80	"	"	50	"	8.2	9.1	14.0	15.4	0.37
"	200	"	"	115	"	"	85	"	7.6	8.4	12.2	13.4	0.53
"	250	"	"	175	"	"	145	"	7.3	7.9	11.0	12.0	0.80
M 224	125	55	70	35	18	100	*	60x8	13.0	14.8	25.8	26.6	0.30
"	160	"	"	60	"	"	*	"	12.0	13.4	22.0	22.7	0.43
"	200	"	"	100	"	"	65	"	11.0	12.1	19.0	19.5	0.71
"	250	"	"	160	"	"	125	"	10.3	11.2	16.7	17.1	1.13
"	315	"	"	230	"	"	190	"	9.8	10.5	14.9	15.2	1.60
M 315	160	65	80	35	18	115	*	70x9	18.3	20.4	33.3	34.6	0.32
"	200	"	"	85	"	"	50	"	16.7	18.4	28.7	29.7	0.66
"	250	"	"	140	"	"	100	"	15.6	17.0	25.2	26.0	1.10
"	315	"	"	190	"	"	155	"	14.6	15.7	22.3	22.9	1.46
"	400	"	"	205	"	"	155	"	13.9	14.8	20.0	20.5	1.46

## Unášeče pro dopravní řetězy

Unášeče Série M

Dopravní řetězy metrické (DIN 8167)



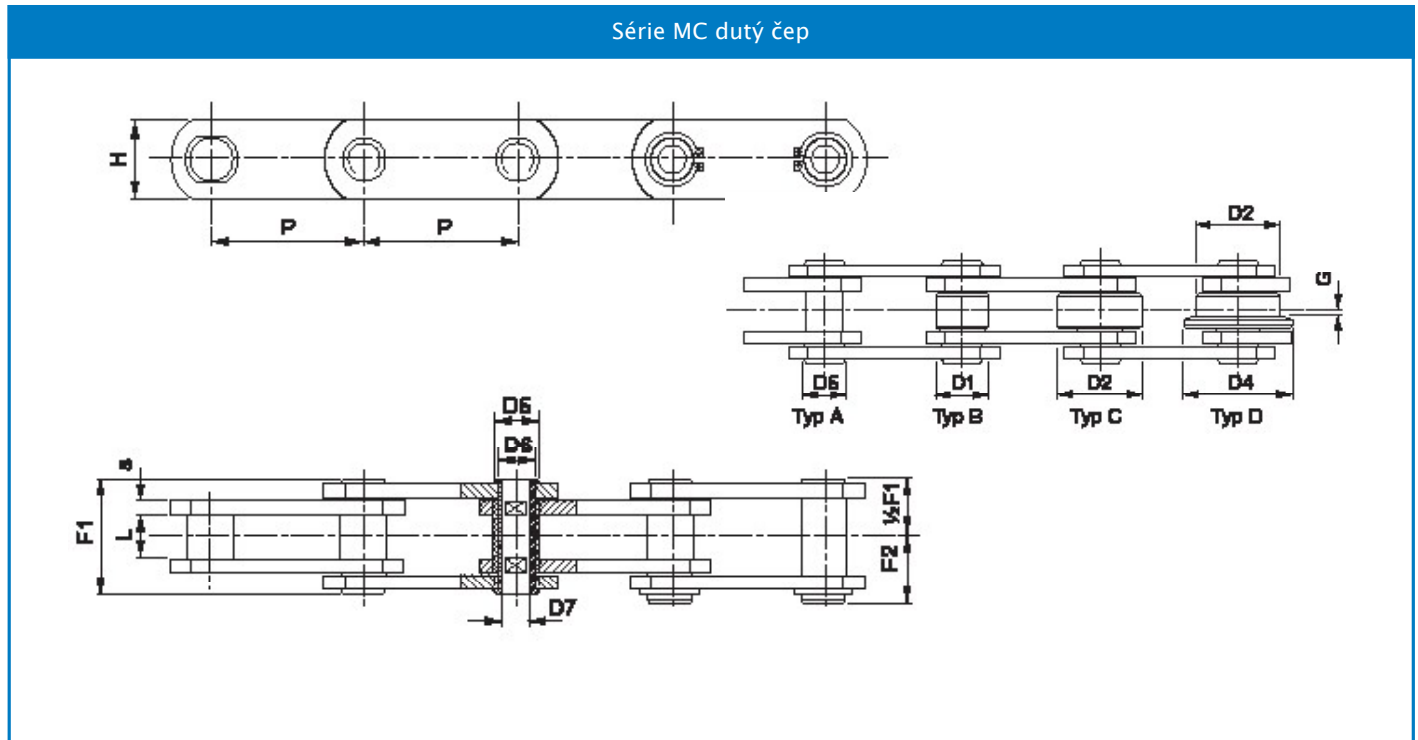
Č. řetězu	Rozteč P	a	b	c	d1	e	f	Svařovaný nebo integrální unášeč	Hmotnost řetěze - bez unášeče kg/m				Hmotnost unášeče (A2) kg každý
									Typ A	Typ B	Typ C	Typ D	
M 450	200	75	90	50	18	125	*	70x9	24.0	27.0	40.5	47.0	0.33
"	250	"	"	125	"	"	85	"	22.0	24.9	39.5	41.0	1.00
"	315	"	"	195	"	"	155	"	21.0	23.0	34.5	36.0	1.60
"	400	"	"	280	"	"	240	"	19.6	21.2	30.5	31.4	2.30
M 630	250	90	115	50	24	165	*	100x12	36.0	40.8	64.0	66.9	0.90
"	315	"	"	150	"	"	100	"	33.4	36.6	55.5	57.7	2.70
"	400	"	"	240	"	"	190	"	31.5	33.9	49.0	50.7	4.30
"	500	"	"	350	"	"	300	"	29.6	31.6	43.6	45.0	6.20
M 900	250	110	140	60	30	195	*	120x15	49.7	56.5	98.3	104.5	1.60
"	315	"	"	125	"	"	65	"	45.5	51.8	84.2	89.7	3.30
"	400	"	"	215	"	"	155	"	42.0	46.2	72.5	76.9	5.70
"	500	"	"	300	"	"	240	"	39.3	42.7	63.8	67.6	8.00
"	600	"	"	350	"	"	300	"	37.3	39.9	56.6	58.9	8.00

\* Unášeč s jednou dírou

## Dopravní řetězy

Série MC dutý čep

Dopravní řetězy metrické (DIN 8167)



### Dutý čep

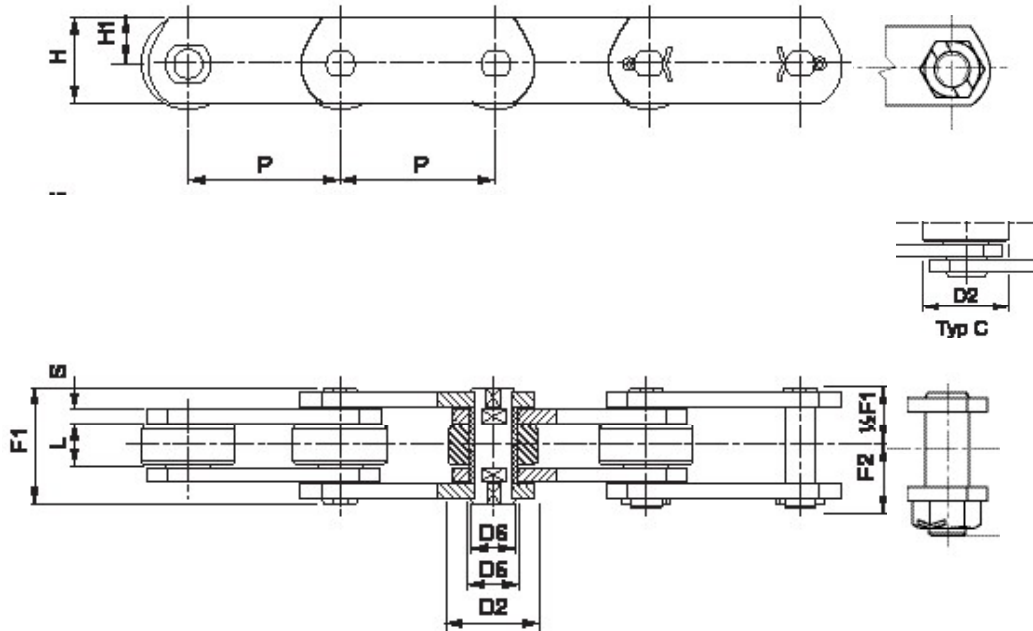
Č. řetězu	Rozteč P	L	G	H	S	F1	F2	D1	D2	D4	D5	D6	D7	Mezní zatížení kN	Hmotnost (Typ C) kg/m
MC 28	50	20	4.5	25	3	36.0	20.5	25	36	45	17	13.0	8.2	28	4.3
"	63	"	"	"	"	"	"	"	"	"	"	"	"	"	3.8
"	80	"	"	"	"	"	"	"	"	"	"	"	"	"	3.2
"	100	"	"	"	"	"	"	"	"	"	"	"	"	"	2.8
"	125	"	"	"	"	"	"	"	"	"	"	"	"	"	2.5
MC 56	63	24	7.0	35	4	45.0	25.0	30	50	60	21	15.5	10.2	56	8.5
"	80	"	"	"	"	"	"	"	"	"	"	"	"	"	7.2
"	100	"	"	"	"	"	"	"	"	"	"	"	"	"	6.2
"	125	"	"	"	"	"	"	"	"	"	"	"	"	"	5.4
"	160	"	"	"	"	"	"	"	"	"	"	"	"	"	4.7
MC 112	80	32	8.5	50	6	62.5	33.0	42	70	85	29	22.0	14.3	112	16.6
"	100	"	"	"	"	"	"	"	"	"	"	"	"	"	14.0
"	125	"	"	"	"	"	"	"	"	"	"	"	"	"	11.2
"	160	"	"	"	"	"	"	"	"	"	"	"	"	"	10.2
"	200	"	"	"	"	"	"	"	"	"	"	"	"	"	8.9
"	250	"	"	"	"	"	"	"	"	"	"	"	"	"	7.9
MC 224	125	43	10.5	70	8	83.0	44.0	60	100	120	42	30.0	20.3	224	32.3
"	160	"	"	"	"	"	"	"	"	"	"	"	"	"	27.1
"	200	"	"	"	"	"	"	"	"	"	"	"	"	"	23.5
"	250	"	"	"	"	"	"	"	"	"	"	"	"	"	20.6
"	315	"	"	"	"	"	"	"	"	"	"	"	"	"	17.2

## Dopravní řetězy

Série MT/ME s nosnými deskami

Dopravní řetězy metrické (DIN 8167)

Série MT/ME s nosnými deskami



### S nosnými deskami

Č. řetězu	Rozteč P	L	S	H	H1	F1	F2	D2	D5	D6	Mezní zatížení kN	Hmotnost (Typ C) kg/m
ME 20	40	16	2.5	25	16.0	33.0	19.0	25	9	6	20	3.0
"	50	"	"	"	"	"	"	"	"	"	"	2.6
"	63	"	"	"	"	"	"	"	"	"	"	2.3
"	80	"	"	"	"	"	"	"	"	"	"	2.0
ME 28	50	18	3.0	30	20.0	36.0	20.5	30	10	7	28	4.1
"	63	"	"	"	"	"	"	"	"	"	"	3.5
"	80	"	"	"	"	"	"	"	"	"	"	3.1
"	100	"	"	"	"	"	"	"	"	"	"	2.8
ME 40	63	20	4.0	35	22.5	40.5	24.0	36	11	8	40	5.5
"	80	"	"	"	"	"	"	"	"	"	"	4.8
"	100	"	"	"	"	"	"	"	"	"	"	4.2
"	125	"	"	"	"	"	"	"	"	"	"	3.7
ME 56	63	24	4.0	45	30.0	45.0	26.0	42	15	10	56	8.3
"	80	"	"	"	"	"	"	"	"	"	"	7.0
"	100	"	"	"	"	"	"	"	"	"	"	6.1
"	125	"	"	"	"	"	"	"	"	"	"	5.4
ME 80	80	28	5.0	50	32.5	54.5	30.5	50	18	12	80	11.0
"	100	"	"	"	"	"	"	"	"	"	"	9.5
"	125	"	"	"	"	"	"	"	"	"	"	8.5
"	160	"	"	"	"	"	"	"	"	"	"	7.2
"	200	"	"	"	"	"	"	"	"	"	"	6.0

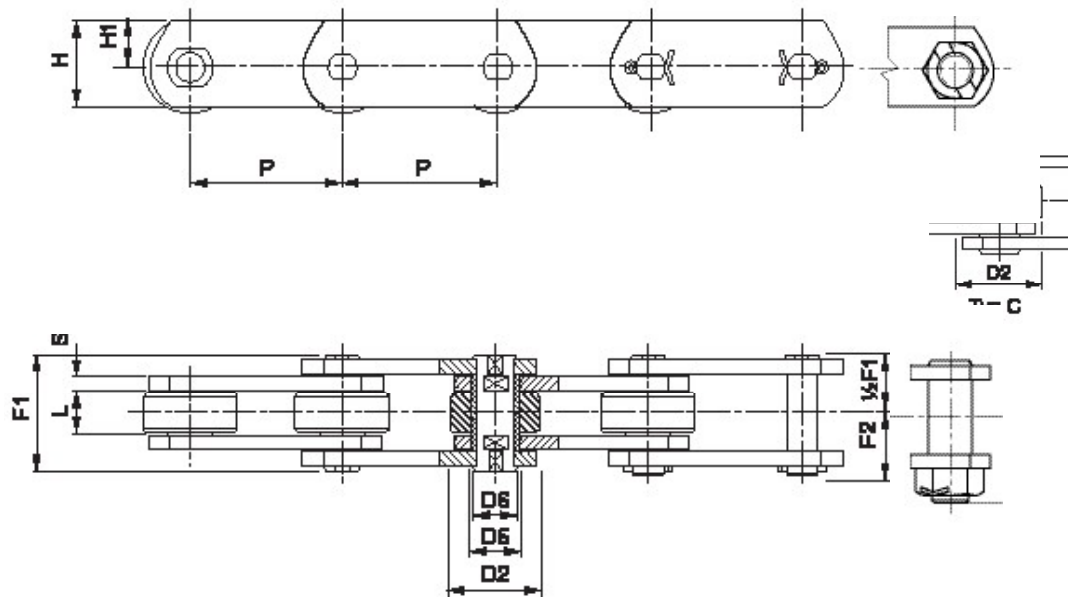


## Dopravní řetězy

Série MT/ME

Dopravní řetězy metrické (DIN 8167)

Série MT/ME s nosnými deskami



### S nosnými deskami

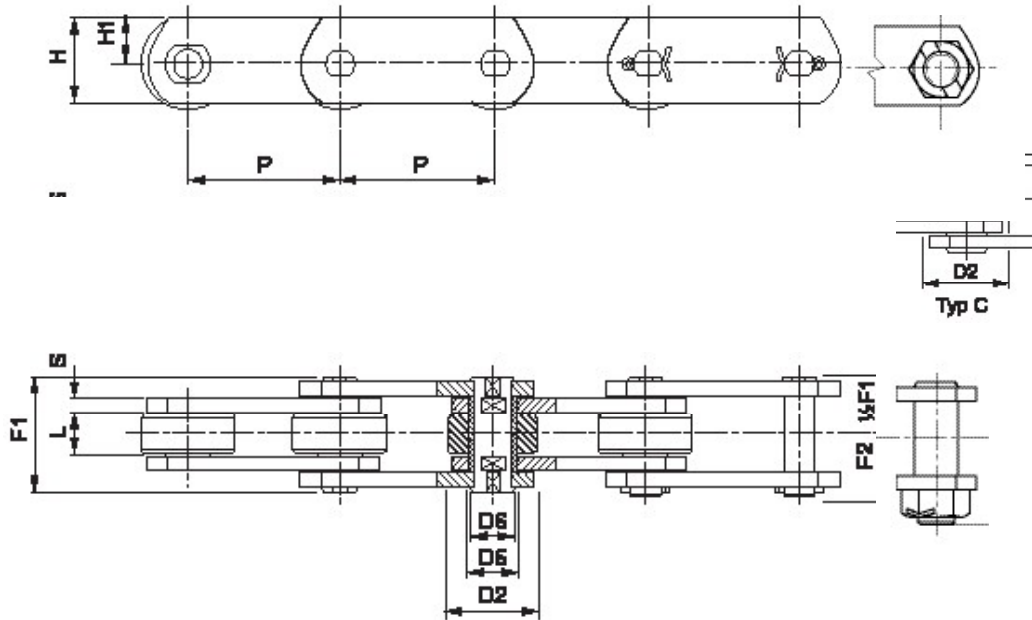
Č. řetězu	Rozteč P	L	S	H	H1	F1	F2	D2	D5	D6	Mezní zatížení kN	Hmotnost kg/m
ME 112	80	32	6	60	40	63	36.0	60	21	15	112	17.0
"	100	"	"	"	"	"	"	"	"	"	"	14.5
"	125	"	"	"	"	"	"	"	"	"	"	13.0
"	160	"	"	"	"	"	"	"	"	"	"	11.0
"	200	"	"	"	"	"	"	"	"	"	"	10.0
ME 160	100	37	7	70	45	72	41.5	70	25	18	160	21.5
"	125	"	"	"	"	"	"	"	"	"	"	19.0
"	160	"	"	"	"	"	"	"	"	"	"	17.0
"	200	"	"	"	"	"	"	"	"	"	"	15.0
"	250	"	"	"	"	"	"	"	"	"	"	13.5
ME 224	125	43	8	90	60	84	47.0	85	30	21	224	32.5
"	160	"	"	"	"	"	"	"	"	"	"	27.5
"	200	"	"	"	"	"	"	"	"	"	"	23.0
"	250	"	"	"	"	"	"	"	"	"	"	21.0
"	315	"	"	"	"	"	"	"	"	"	"	19.0
ME 315	160	48	10	100	65	97	55.0	100	36	25	315	43.0
"	200	"	"	"	"	"	"	"	"	"	"	37.0
"	250	"	"	"	"	"	"	"	"	"	"	32.0
"	315	"	"	"	"	"	"	"	"	"	"	28.6
"	400	"	"	"	"	"	"	"	"	"	"	25.5

## Dopravní řetězy

Série MT/ME

Dopravní řetězy metrické (DIN 8167)

Série MT/ME s nosnými deskami



### S nosnými deskami

Č. řetězu	Rozteč P	L	S	H	H1	F1	F2	D2	D5	D6	Mezní zatížení kN	Hmotnost kg/m
ME 450	200	56	12	120	80	114	67.0	120	42	30	450	700
"	250	"	"	"	"	"	"	"	"	"	"	"
"	315	"	"	"	"	"	"	"	"	"	"	"
"	400	"	"	"	"	"	"	"	"	"	"	"
ME 630	250	66	14	140	90	137	87.5	140	50	36	630	900
"	315	"	"	"	"	"	"	"	"	"	"	"
"	400	"	"	"	"	"	"	"	"	"	"	"
"	500	"	"	"	"	"	"	"	"	"	"	"
"	600	"	"	"	"	"	"	"	"	"	"	"
ME 900	250	78	16	180	120	153	95.0	170	60	44	900	1,250
"	315	"	"	"	"	"	"	"	"	"	"	"
"	400	"	"	"	"	"	"	"	"	"	"	"
"	500	"	"	"	"	"	"	"	"	"	"	"
"	600	"	"	"	"	"	"	"	"	"	"	"

# Unášeče pro dopravní řetězy

## Určení unášeče řetězů

### Určení unášeče řetězů

## M1-01

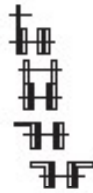
#### Orientace uchycení

**M** = Vertikální jedna strana

**MK** = Vertikální obě strany

**A** = Horizontální jedna strana

**K** = Horizontální obě strany



#### Montážní otvory

**1** = Jeden otvor

**2** = Dvojitý

**3** = Trojitý



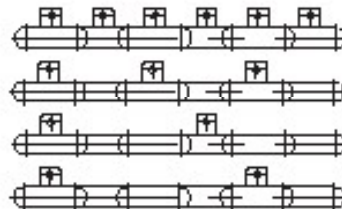
#### Frekvence

**01** = Každá boční destička

**02** = Každá druhá boční destička

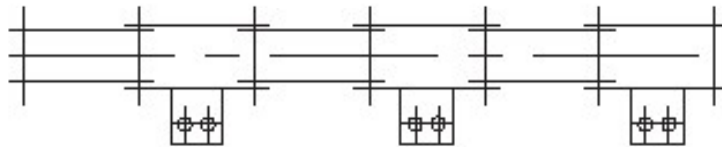
**03** = Každá třetí boční destička

**04** = Každá čtvrtá boční destička



#### Příklady

##### A2-02



##### K3-01

