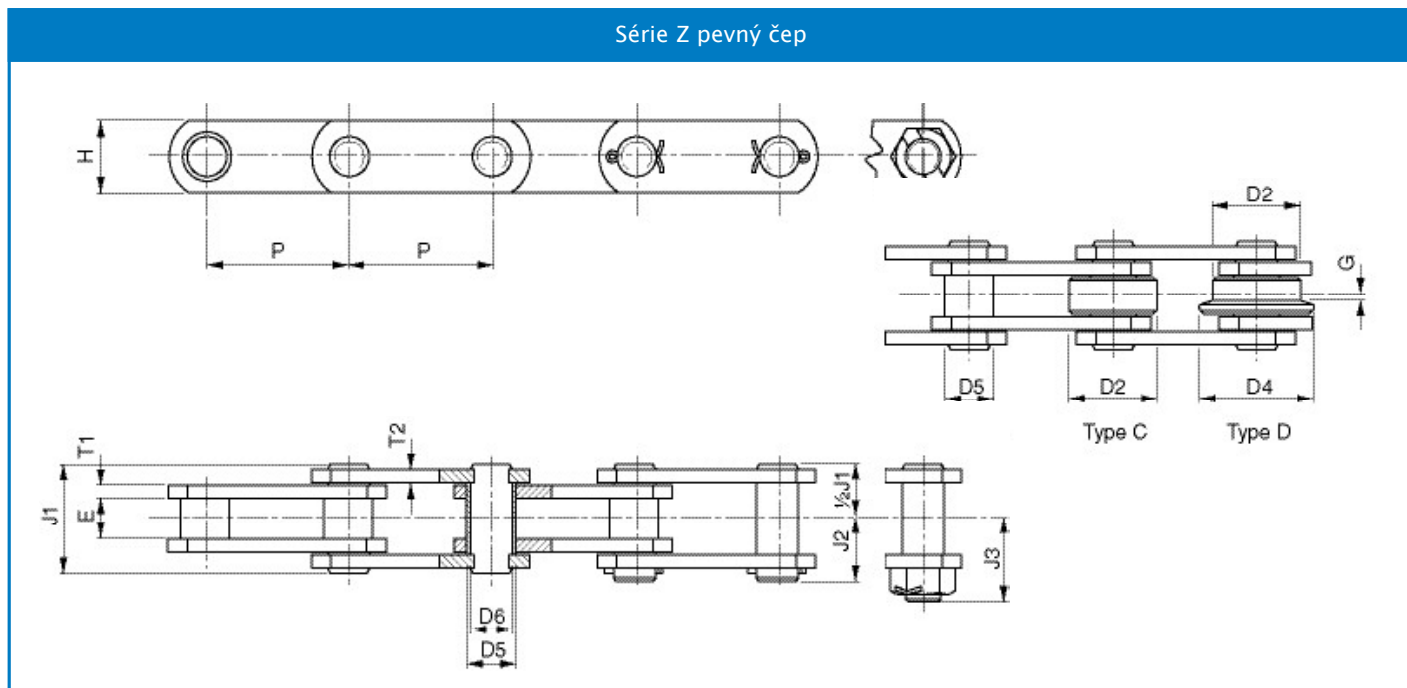


Dopravní řetězy

Série Z

Dopravní řetězy Britský standard (BS 4116 Část 4)

Série Z pevný čep



Pevný čep

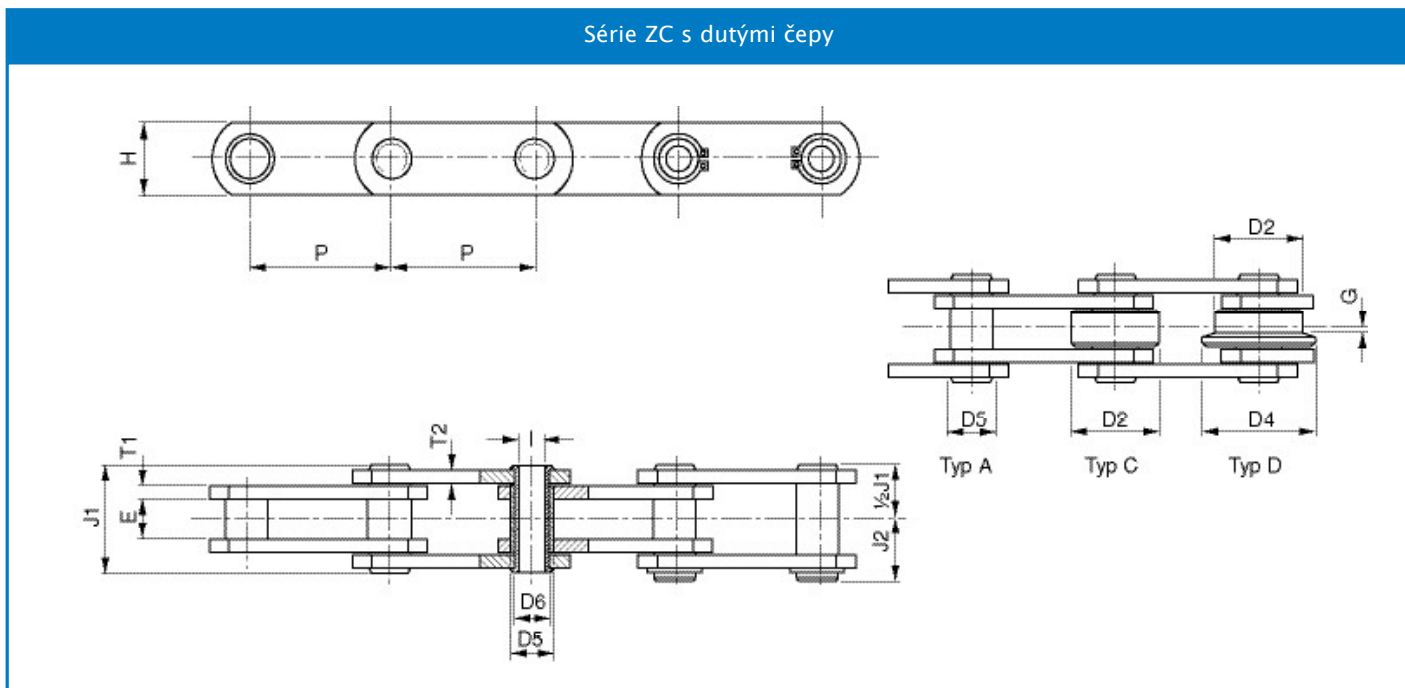
Č. řetězu	Minimální mezní zatížení, lbf	Rozteč Palce P	Rozteč mm P	E	H	T1	T2	J1	J2	J3	D2	D4	D5	D6	G	Mezní zatížení kN	Hmotnost (Typ C) kg/m
Z40	7 500	2.0	50.8	15	25	4	4	37	22	28.5	31.75	40	17	14	2.5	40	4.0
Z40	"	2.5	63.5	"	"	"	"	"	"	"	"	"	"	"	"	"	3.5
Z40	"	3.0	76.2	"	"	"	"	"	"	"	"	"	"	"	"	"	3.2
Z40	"	3.5	88.9	"	"	"	"	"	"	"	"	"	"	"	"	"	3.0
Z40	"	4.0	101.6	"	"	"	"	"	"	"	"	"	"	"	"	"	2.8
Z40	"	5.0	127.0	"	"	"	"	"	"	"	"	"	"	"	"	"	2.6
Z40	"	6.0	152.4	"	"	"	"	"	"	"	"	"	"	"	"	"	2.4
Z100	15 000	3.0	76.2	19	40	5	4	45	28	37	47.5	60	23	19	3.5	100	7.7
Z100	"	3.5	88.9	"	"	"	"	"	"	"	"	"	"	"	"	"	7.0
Z100	"	4.0	101.6	"	"	"	"	"	"	"	"	"	"	"	"	"	6.5
Z100	"	5.0	127.0	"	"	"	"	"	"	"	"	"	"	"	"	"	5.8
Z100	"	6.0	152.4	"	"	"	"	"	"	"	"	"	"	"	"	"	5.3
Z100	"	7.0	177.8	"	"	"	"	"	"	"	"	"	"	"	"	"	5.0
Z100	"	8.0	203.2	"	"	"	"	"	"	"	"	"	"	"	"	"	4.7
Z160	30 000	4.0	101.6	26	50	7	5	58	34.5	51	66.7	82	33	26.9	3.5	156	14.3
Z160	"	5.0	127.0	"	"	"	"	"	"	"	"	"	"	"	"	"	12.5
Z160	"	6.0	152.4	"	"	"	"	"	"	"	"	"	"	"	"	"	11.3
Z160	"	7.0	177.8	"	"	"	"	"	"	"	"	"	"	"	"	"	10.5
Z160	"	8.0	203.2	"	"	"	"	"	"	"	"	"	"	"	"	"	9.8
Z160	"	9.0	228.6	"	"	"	"	"	"	"	"	"	"	"	"	"	9.3
Z160	"	10.0	254.0	"	"	"	"	"	"	"	"	"	"	"	"	"	9.0
Z300	45 000	6.0	152.4	38	60	10	8	83	47	70	88.9	114	38	28	8.5	300	24.3
Z300	"	7.0	177.8	"	"	"	"	"	"	"	"	"	"	"	"	"	22.0
Z300	"	8.0	203.2	"	"	"	"	"	"	"	"	"	"	"	"	"	21.0
Z300	"	10.0	254.0	"	"	"	"	"	"	"	"	"	"	"	"	"	18.0
Z300	"	12.0	304.8	"	"	"	"	"	"	"	"	"	"	"	"	"	16.5
Z300/60	60 000	6.0	152.4	38	60	10	8	84	52	71	88.9	114	38	32	8.5	300	24.0
Z300/60	"	7.0	177.8	"	"	"	"	"	"	"	"	"	"	"	"	"	21.8
Z300/60	"	8.0	203.2	"	"	"	"	"	"	"	"	"	"	"	"	"	20.0
Z300/60	"	10.0	254.0	"	"	"	"	"	"	"	"	"	"	"	"	"	17.7
Z300/60	"	12.0	304.8	"	"	"	"	"	"	"	"	"	"	"	"	"	16.0

Dopravní řetězy

Série ZC

Dopravní řetězy Britský standard (BS 4116 Část 4)

Série ZC s dutými čepy



S dutými čepy

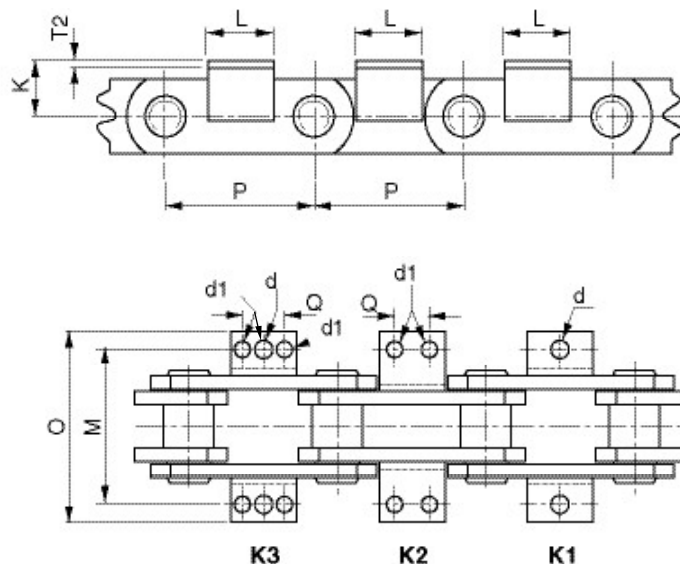
Č. řetězu	Minimální mezní zatížení, lbf	Rozteč Palce P	Rozteč mm P	E	I	H	T1	T2	J1	J2	D2	D4	D5	D6	G	Mezní zatížení kN	Hmot- nost (Typ C) kg/m
ZC21	4 500	1.5	38.1	12.7	6.5	18	2.5	2.5	26	14.5	25.4	/	11	9	/	21	2.2
ZC21	"	2.0	50.8	"	"	"	"	"	"	"	"	"	"	"	"	"	1.7
ZC21	"	2.5	63.5	"	"	"	"	"	"	"	"	"	"	"	"	"	1.6
ZC21	"	3.0	76.2	"	"	"	"	"	"	"	"	"	"	"	"	"	1.4
ZC40	6 000	2.0	50.8	15	10.2	25	4	4	36.4	19.5	31.75	40	17	14	2.5	40	3.6
ZC40	"	2.5	63.5	"	"	"	"	"	"	"	"	"	"	"	"	"	3.2
ZC40	"	3.0	76.2	"	"	"	"	"	"	"	"	"	"	"	"	"	3.0
ZC40	"	3.5	88.9	"	"	"	"	"	"	"	"	"	"	"	"	"	2.8
ZC40	"	4.0	101.6	"	"	"	"	"	"	"	"	"	"	"	"	"	2.6
ZC40	"	5.0	127.0	"	"	"	"	"	"	"	"	"	"	"	"	"	2.4
ZC40	"	6.0	152.4	"	"	"	"	"	"	"	"	"	"	"	"	"	2.3
ZC60	12 000	3.0	76.2	19	13.2	40	5	4	45	23.5	47.5	60	23	19	3.5	60	7.0
ZC60	"	3.5	88.9	"	"	"	"	"	"	"	"	"	"	"	"	"	6.4
ZC60	"	4.0	101.6	"	"	"	"	"	"	"	"	"	"	"	"	"	6.0
ZC60	"	5.0	127.0	"	"	"	"	"	"	"	"	"	"	"	"	"	5.3
ZC60	"	6.0	152.4	"	"	"	"	"	"	"	"	"	"	"	"	"	4.9
ZC60	"	7.0	177.8	"	"	"	"	"	"	"	"	"	"	"	"	"	4.6
ZC60	"	8.0	203.2	"	"	"	"	"	"	"	"	"	"	"	"	"	4.4
ZC150	24 000	4.0	101.6	26	20.2	50	7	5	58	31.5	66.7	82	33	26.9	4	150	12.8
ZC150	"	5.0	127.0	"	"	"	"	"	"	"	"	"	"	"	"	"	11.3
ZC150	"	6.0	152.4	"	"	"	"	"	"	"	"	"	"	"	"	"	11.0
ZC150	"	7.0	177.8	"	"	"	"	"	"	"	"	"	"	"	"	"	9.5
ZC150	"	8.0	203.2	"	"	"	"	"	"	"	"	"	"	"	"	"	9.0
ZC150	"	9.0	228.6	"	"	"	"	"	"	"	"	"	"	"	"	"	8.6
ZC150	"	10.0	254.0	"	"	"	"	"	"	"	"	"	"	"	"	"	8.2
ZC300	36 000	6.0	152.4	38	22.5	60	10	8	83	43.5	88.9	114	38	32	8.5	300	22.3
ZC300	"	7.0	177.8	"	"	"	"	"	"	"	"	"	"	"	"	"	20.2
ZC300	"	8.0	203.2	"	"	"	"	"	"	"	"	"	"	"	"	"	18.8
ZC300	"	10.0	254.0	"	"	"	"	"	"	"	"	"	"	"	"	"	16.4
ZC300	"	12.0	304.8	"	"	"	"	"	"	"	"	"	"	"	"	"	15.2

Unášeče pro dopravní řetězy

Série Z/ZC

Dopravní řetězy Britský standard (BS 4116 Část 4)

Unášeče série Z/ZC



Poznámka:
Unášeče jsou také k dispozici v provedení A1, A2 a A3 (1, 2 a 3 díry, pouze jednostranné)

Dopravní unášeče

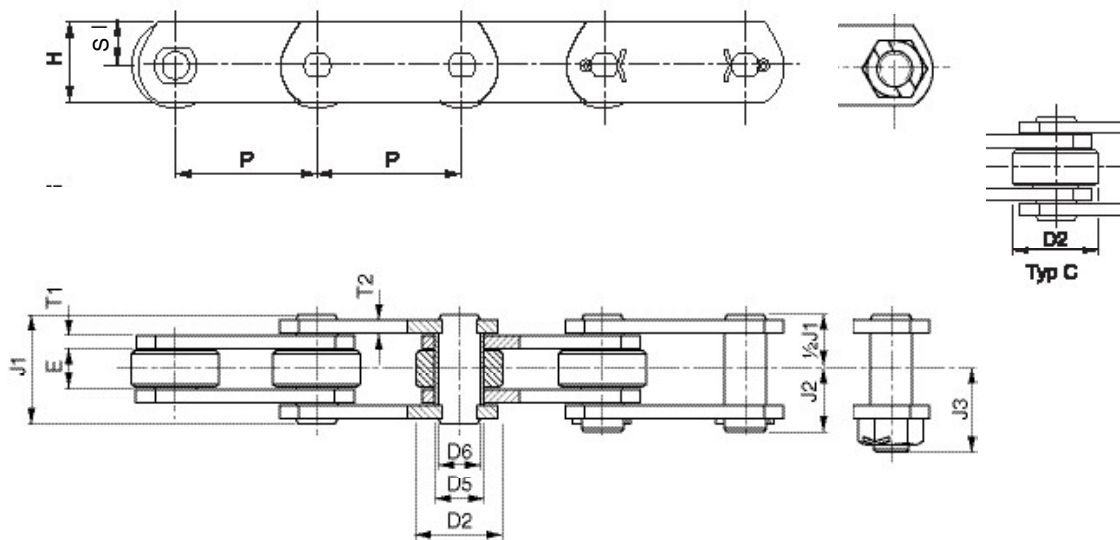
Č. řetězu	Minimální mezní zatížení lbf	Rozteč Palce P	Rozteč mm P	Typ unášeče	K	M	L	d	d1	O	Q	Průměrná hmotnost (každá) kg
ZC40 / Z40	6 000 / 7 500	2.0	50.8	K1	19	76.2	45.0	10.7	/	129	/	0.10
ZC40 / Z40	"	2.5	63.5	K1, K2	"	"	43.0	"	9.3	112	22.2	0.10
ZC40 / Z40	"	3.0	76.2	K3	"	"	"	"	"	136	"	0.10
ZC40 / Z40	"	3.5	88.9	K1, K2, K3	"	"	50.0	"	"	112	31.8	0.10
ZC40 / Z40	"	4.0	101.6	K3	"	"	64.0	"	"	110	"	0.10
ZC40 / Z40	"	5.0	127.0	K3	"	"	85.0	"	"	112	57.2	0.20
ZC40 / Z40	"	6.0	152.4	K3	"	"	88.0	"	"	"	"	0.20
ZC100 / Z100	12 000 / 15 000	3.0	76.2	K1	32	89.0	30.0	14.0	/	130	/	0.12
ZC100 / Z100	"	3.5	88.9	K1	"	"	"	"	/	"	/	0.12
ZC100 / Z100	"	4.0	101.6	K3	"	"	64.0	"	10.5	"	31.8	0.10
ZC100 / Z100	"	5.0	127.0	K1, K2	"	"	84.0	"	"	"	57.2	0.30
ZC100 / Z100	"	6.0	152.4	K3	"	"	114.5	"	"	"	"	0.32
ZC100 / Z100	"	7.0	177.8	K1, K2	"	"	110.0	"	"	"	80.0	0.40
ZC100 / Z100	"	8.0	203.2	K1, K2	"	"	"	"	"	"	"	0.40
ZC160 / Z160	24 000 / 30 000	4.0	101.6	K1	38	108.0	35.0	15.5	/	154	/	0.19
ZC160 / Z160	"	5.0	127.0	K1, K2	"	"	56.0	"	12.3	"	31.7	0.30
ZC160 / Z160	"	6.0	152.4	K1, K2	"	"	84.0	"	"	"	57.2	0.38
ZC160 / Z160	"	7.0	177.8	K1, K2	"	"	"	"	"	"	"	0.38
ZC160 / Z160	"	8.0	203.2	K1, K2	"	"	130.0	"	"	"	100.0	0.60
ZC160 / Z160	"	9.0	228.6	K1, K2	"	"	150.0	"	"	"	"	0.69
ZC160 / Z160	"	10.0	254.0	K1, K2	"	"	170.0	"	"	"	135.0	0.75
ZC300 / Z300	36 000 / 45 000	6.0	152.4	K1	51	146.0	70.0	17.0	/	200	38.1	0.50
ZC300 / Z300	"	7.0	177.8	K1	"	"	"	"	/	"	"	0.50
ZC300 / Z300	"	8.0	203.2	K1, K2	"	"	100.0	"	14.0	"	76.2	0.70
ZC300 / Z300	"	10.0	254.0	K1, K2	"	"	152.4	"	"	"	90.0	0.90
ZC300 / Z300	"	12.0	304.8	K1, K2	"	"	225.0	"	"	"	190.0	1.60
Z300 / 60	60 000	6.0	152.4	K1	51	146.0	70.0	17.0	/	200	38.1	0.50
Z300 / 60	"	7.0	177.8	K1	"	"	"	"	/	"	"	0.50
Z300 / 60	"	8.0	203.2	K1, K2	"	"	100.0	"	14.0	"	76.2	0.70
Z300 / 60	"	10.0	254.0	K1, K2	"	"	152.4	"	"	"	90.0	0.90
Z300 / 60	"	12.0	304.8	K1, K2	"	"	225.0	"	"	"	190.0	1.60

Dopravní řetězy

Série ZE

Dopravní řetězy Britský standard (BS 4116 Část 4)

Série ZE s nosnými deskami



Nosné desky

Č. řetězu	Minimální mezní zatížení, lbf	Rozteč Palce P	Rozteč mm P	E	H	S	T1	T2	J1	J2	J3	D2	D5	D6	Mezní zatížení kN	Hmotnost (Typ C) kg/m
ZE40	7 500	2.0	50.8	15	40	27	4	4	37	22	28.5	31.75	17	14	40	5.0
ZE40	"	2.5	63.5	"	"	"	"	"	"	"	"	"	"	"	"	4.6
ZE40	"	3.0	76.2	"	"	"	"	"	"	"	"	"	"	"	"	4.2
ZE40	"	3.5	88.9	"	"	"	"	"	"	"	"	"	"	"	"	4.0
ZE40	"	4.0	101.6	"	"	"	"	"	"	"	"	"	"	"	"	3.8
ZE40	"	5.0	127.0	"	"	"	"	"	"	"	"	"	"	"	"	3.5
ZE40	"	6.0	152.4	"	"	"	"	"	"	"	"	"	"	"	"	3.3
ZE100	15 000	3.0	76.2	19	50	30	5	4	45	28	37	47.5	23	19	100	8.9
ZE100	"	3.5	88.9	"	"	"	"	"	"	"	"	"	"	"	"	8.4
ZE100	"	4.0	101.6	"	"	"	"	"	"	"	"	"	"	"	"	7.6
ZE100	"	5.0	127.0	"	"	"	"	"	"	"	"	"	"	"	"	6.8
ZE100	"	6.0	152.4	"	"	"	"	"	"	"	"	"	"	"	"	6.3
ZE100	"	7.0	177.8	"	"	"	"	"	"	"	"	"	"	"	"	5.9
ZE100	"	8.0	203.2	"	"	"	"	"	"	"	"	"	"	"	"	7.7
ZE160	30 000	4.0	101.6	26	70	45	7	5	58	34.5	51	66.7	33	26.9	160	17.5
ZE160	"	5.0	127.0	"	"	"	"	"	"	"	"	"	"	"	"	15.4
ZE160	"	6.0	152.4	"	"	"	"	"	"	"	"	"	"	"	"	13.8
ZE160	"	7.0	177.8	"	"	"	"	"	"	"	"	"	"	"	"	12.8
ZE160	"	8.0	203.2	"	"	"	"	"	"	"	"	"	"	"	"	12.0
ZE160	"	9.0	228.6	"	"	"	"	"	"	"	"	"	"	"	"	11.3
ZE160	"	10.0	254.0	"	"	"	"	"	"	"	"	"	"	"	"	10.5
ZE300	45 000	6.0	152.4	38	90	60	10	8	83	47	70	88.9	38	28	300	32.0
ZE300	"	7.0	177.8	"	"	"	"	"	"	"	"	"	"	"	"	29.5
ZE300	"	8.0	203.2	"	"	"	"	"	"	"	"	"	"	"	"	27.0
ZE300	"	10.0	254.0	"	"	"	"	"	"	"	"	"	"	"	"	24.5
ZE300	"	12.0	304.8	"	"	"	"	"	"	"	"	"	"	"	"	23.0
ZE300/60	60 000	6.0	152.4	38	90	60	10	8	84	52	71	88.9	38	32	300	32.0
ZE300/60	"	7.0	177.8	"	"	"	"	"	"	"	"	"	"	"	"	29.5
ZE300/60	"	8.0	203.2	"	"	"	"	"	"	"	"	"	"	"	"	27.0
ZE300/60	"	10.0	254.0	"	"	"	"	"	"	"	"	"	"	"	"	24.5
ZE300/60	"	12.0	304.8	"	"	"	"	"	"	"	"	"	"	"	"	23.0

Všechny rozměry jsou v milimetrech, pokud není uvedeno jinak. Bylo vyvinuto veškeré úsilí s cílem zajistit, aby údaje uvedené v tomto katalogu byly správné. Společnost Challenge nese žádnou odpovědnost za jakékoliv nepřesnosti nebo způsobené škody..

Unášeče pro dopravní řetězy

Určení unášeče řetězů

Určení unášeče řetězů

M1-01

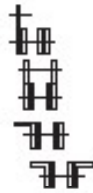
Orientace uchycení

M = Vertikální jedna strana

MK = Vertikální obě strany

A = Horizontální jedna strana

K = Horizontální obě strany



Montážní otvory

1 = Jeden otvor

2 = Dvojitý

3 = Trojitý



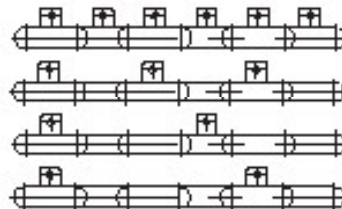
Frekvence

01 = Každá boční destička

02 = Každá druhá boční destička

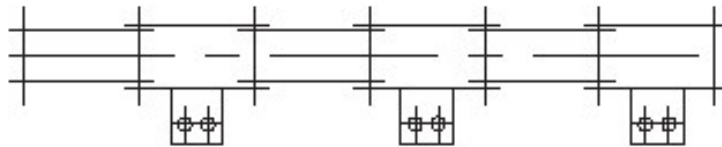
03 = Každá třetí boční destička

04 = Každá čtvrtá boční destička



Příklady

A2-02



K3-01

