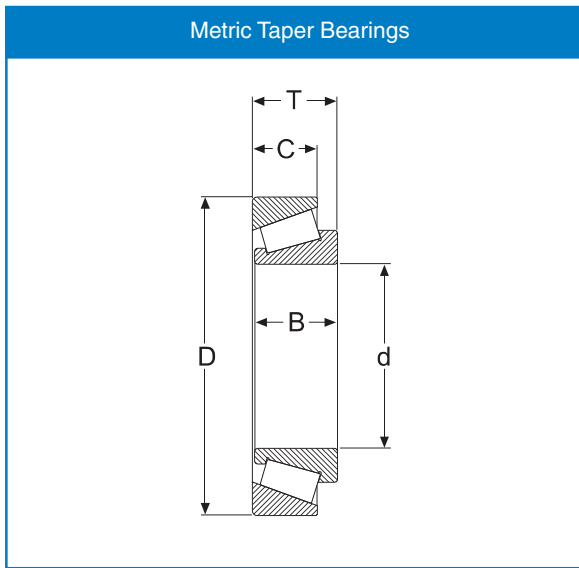


# Bearings



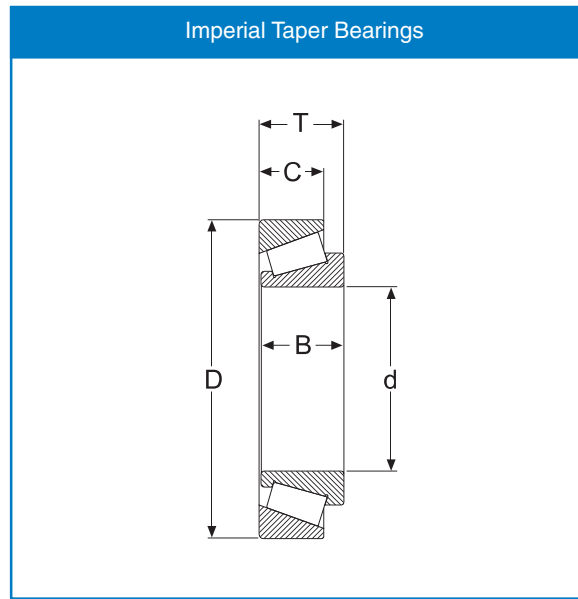
# Metric Taper Bearings



Bearing Number	d	D	T	B	C	Mass kg
30203	17	40	13.25	12	11	0.08
32203	17	40	17.25	16	14	0.10
30303	17	47	15.25	14	12	0.13
32004	17	42	15.00	15	12	0.11
30204	17	47	15.25	14	12	0.13
30304	20	52	16.25	15	13	0.18
32204	20	47	19.25	18	15	0.17
32304	20	52	22.25	21	18	0.25
32005	20	47	15.00	15	11.5	0.12
30205	20	52	16.25	15	13	0.16
30305	25	62	18.25	17	15	0.27
32205	25	52	19.25	18	16	0.18
32305	25	62	25.25	24	20	0.38
32006	28	55	17.00	17	13	0.17
30206	28	62	17.25	16	14	0.22
30306	30	72	20.75	19	16	0.45
32206	30	62	21.27	20	17	0.28
32306	30	72	28.75	27	23	0.59
32007	30	62	18.00	18	14	0.23
30207	30	72	18.25	17	15	0.32
33206	30	62	25.00	25	19.5	0.35
30307	35	80	22.75	21	18	0.53
32207	35	72	24.25	23	19	0.43
32307	35	80	32.75	31	25	0.83
32008	35	68	19.00	19	14.5	0.29
30208	35	80	19.75	18	16	0.43
33207	35	72	28.00	28	22	0.59
30308	40	90	25.25	23	20	0.77
32208	40	80	24.75	23	19	0.56
32308	40	90	35.25	33	27	1.2
32009	40	75	20.00	20	15.5	0.33
30209	40	85	20.75	19	16	0.5
33208	40	80	32.00	32	25	0.74

Bearing Number	d	D	T	B	C	Mass kg
30309	45	100	27.25	25	22	0.96
32209	45	85	24.75	23	19	0.57
32309	45	100	38.25	36	30	1.5
32010	45	80	20.00	20	15.5	0.42
30210	45	90	21.75	20	17	0.54
33209	45	85	32.00	32	25	0.79
30310	50	110	29.25	27	23	1.3
32210	50	90	24.75	23	19	0.6
32310	50	110	42.25	40	33	1.9
32011	50	90	23.00	23	17.5	0.58
30211	50	100	22.75	21	18	0.7
33210	50	90	32.00	32	24.5	0.85
30311	55	120	31.50	29	25	1.8
32211	55	100	26.75	25	21	1.21
32311	55	120	45.50	43	35	2.55
32012	60	95	23.00	23	17.5	0.63
30212	60	110	23.75	22	19	0.92
30312	60	130	33.50	31	26	2.1
32212	60	110	29.75	28	24	1.14
32312	60	130	48.50	46	37	3.15
32013	65	100	23.00	23	17.5	0.62
33113	65	110	34.00	34	26.5	0.62
30213	65	120	24.75	23	20	1.1
32213	65	120	32.75	31	27	1.59
32313	65	140	51.00	48	39	3.82
32014	70	110	25.00	25	19	0.97
32214	70	125	33.25	31	27	1.7
32215	75	130	33.25	21	27	1.93
32216	80	140	35.25	33	28	2.18

# Imperial Taper Bearings



Bearing Number	d	D	T	B	C	Mass kg
11749/11710	17.46	39.88	13.84	14.61	10.67	0.083
09067/09195	19.05	45.24	16.64	15.49	12.07	0.180
11949/11910	19.05	45.24	15.49	16.64	12.07	0.125
12649/12610	21.43	50.01	17.53	18.23	13.97	0.172
44643/44610	25.40	50.29	14.22	14.73	10.67	0.118
84548/85410	25.40	57.15	19.43	19.43	14.73	0.254
44649/44610	26.99	50.29	14.22	14.73	10.67	0.108
45449/45410	29.00	50.29	14.73	14.22	10.67	0.104
86649/86610	30.16	64.29	21.43	21.43	16.67	0.339
15123/15245	31.75	62.00	18.16	19.05	14.29	0.237
2580/2523	31.75	69.85	25.36	23.81	19.05	0.451
67048/67010	31.75	59.93	15.88	11.81	16.76	0.186
48548/48510	34.93	65.09	18.03	18.29	13.97	0.259
88649/88610	34.93	72.23	25.40	25.40	19.84	0.483
68149/68110	35.00	59.13	15.88	16.76	11.94	0.173
68149/68111	35.00	59.98	15.88	16.76	11.94	0.174
29748/29710	38.10	65.09	18.03	18.29	13.97	0.233
29749/29710	38.10	65.09	18.03	18.29	13.97	0.236
18590/18520	41.28	73.03	16.67	17.46	12.70	0.288
501349/501310	41.28	73.43	19.56	19.81	14.73	0.337
25580/25520	44.45	82.93	23.81	25.40	19.05	0.558
25580/25521	44.45	83.06	23.81	25.40	19.05	0.553
102949/102910	45.24	73.43	19.56	19.81	15.75	0.316
25590/25520	45.62	82.93	23.81	25.40	19.05	0.538
104948/104910	50.00	82.00	21.50	21.50	17.00	0.419
3780/3720	50.80	93.26	30.16	30.30	23.81	0.854
506849/506810	55.00	90.00	23.00	23.00	18.50	0.558

All dimensions in millimetres unless otherwise stated. Every effort has been taken to ensure that the data listed in this catalogue is correct. Challenge accepts no liability for any inaccuracies or damage caused.