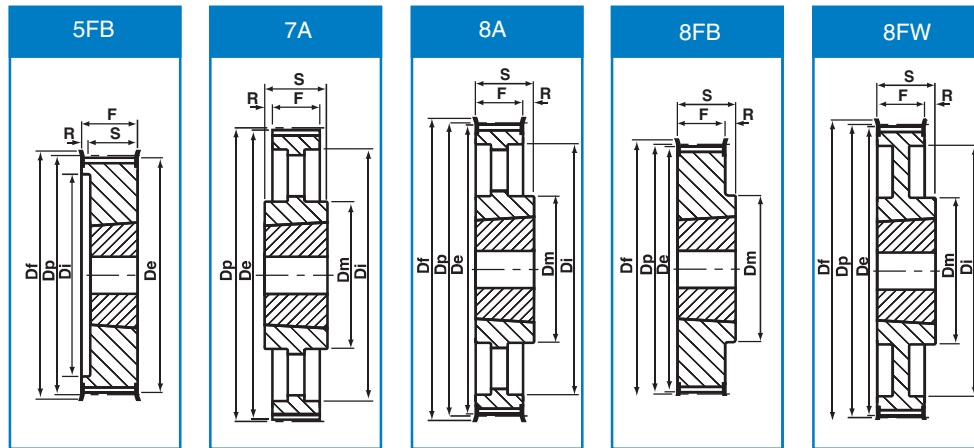


## HTD® Taper Bore

### 5mm Pitch 5M-15 (15mm Wide Belt)

Product Description	Number of Teeth	Type	Bush Size	Material	Dp	De	Df	Dm	Di	F	S	R	Mass kg
34-5M-15	34	8FB	1008	S	54.11	52.97	57.00	43	-	20.5	22	1.50	0.19
36-5M-15	36	8FB	1108	S	57.30	56.16	60.00	44	-	20.5	22	1.50	0.20
38-5M-15	38	8FB	1108	S	60.48	59.34	66.00	48	-	20.5	22	1.50	0.25
40-5M-15	40	8FB	1108	S	63.66	62.52	71.00	52	-	20.5	22	1.50	0.31
44-5M-15	44	8FB	1108	S	70.03	68.89	75.00	54	-	20.5	22	1.50	0.40
48-5M-15	48	8FB	1210	S	76.39	75.25	83.00	64	-	20.5	25	4.50	0.45
56-5M-15	56	8FB	1210	S	89.13	87.99	93.00	70	-	20.5	25	4.50	0.67
64-5M-15	64	8FB	1210	CI	101.86	100.72	106.00	78	-	20.5	25	4.50	0.96
72-5M-15	72	8FB	1610	CI	114.59	113.45	119.00	90	-	20.5	25	4.50	1.19
80-5M-15	80	8FB	1610	CI	127.32	126.18	135.00	92	-	20.5	25	4.50	1.57
90-5M-15	90	7A	1610	CI	143.24	142.10	-	92	126	20.5	25	2.30	1.47
112-5M-15	112	7A	1610	CI	178.25	177.11	-	92	162	20.5	25	2.30	1.94
136-5M-15	136	7A	2012	CI	216.45	215.31	-	106	199	20.5	32	5.80	3.06
150-5M-15	150	7A	2012	CI	238.73	237.59	-	106	222	20.5	32	5.80	3.90



Material; S = Steel, CI = Cast Iron

### 8mm Pitch 8M-20 (20mm Wide Belt)

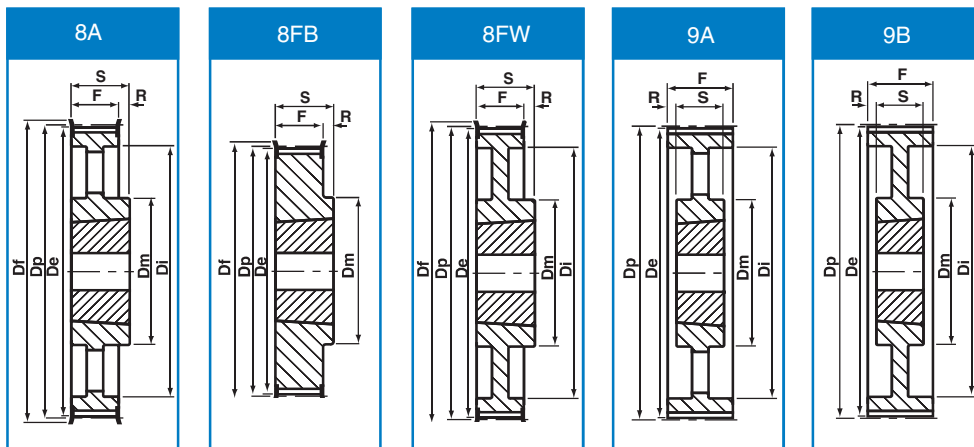
Product Description	Number of Teeth	Type	Bush Size	Material	Dp	De	Df	Dm	Di	F	S	R	Mass kg
22-8M-20	22	5FB	1008	S	56.02	54.65	60.00	-	41	28	22	6.00	0.24
24-8M-20	24	5FB	1108	S	61.12	59.75	66.00	-	42	28	22	6.00	0.30
26-8M-20	26	5FB	1108	S	66.21	64.84	71.00	-	46	28	22	6.00	0.36
28-8M-20	28	5FB	1108	S	71.30	70.08	75.00	-	50	28	22	6.00	0.44
30-8M-20	30	5FB	1108	S	76.39	75.13	83.00	-	58	28	22	6.00	0.53
32-8M-20	32	5FB	1610	S	81.49	80.16	87.00	-	62	28	25	3.00	0.42
34-8M-20	34	5FB	1610	S	86.58	85.22	91.00	-	65	28	25	3.00	0.55
36-8M-20	36	5FB	1610	S	91.67	90.30	98.50	-	68	28	25	3.00	0.68
38-8M-20	38	5FB	1610	S	96.77	95.39	103.00	-	72	28	25	3.00	0.80
40-8M-20	40	5FB	1610	CI	101.86	100.49	106.00	-	76	28	25	3.00	1.00
44-8M-20	44	8FB	2012	CI	112.05	110.67	119.00	93	-	28	32	4.00	1.20
48-8M-20	48	8FB	2012	CI	122.23	120.86	127.00	96	-	28	32	4.00	1.60
56-8M-20	56	8FB	2012	CI	142.60	141.23	148.00	110	-	28	32	4.00	2.40
64-8M-20	64	8FW	2012	CI	162.97	161.60	168.00	110	137	28	32	4.00	2.70
72-8M-20	72	8FW	2012	CI	183.35	181.97	192.00	110	158	28	32	4.00	3.30
80-8M-20	80	8FW	2012	CI	203.72	202.35	-	110	180	28	32	4.00	3.50
90-8M-20	90	8A	2012	CI	229.18	227.81	-	110	204	28	32	4.00	3.65
112-8M-20	112	8A	2517	CI	285.21	283.83	-	125	260	28	45	7.00	6.20
144-8M-20	144	8A	2517	CI	366.69	365.32	-	125	341	28	45	7.00	9.00
168-8M-20	168	7A	3525	CI	427.81	426.44	-	190	402	28	65	2.50	16.40
192-8M-20	192	7A	3525	CI	488.92	487.55	-	190	460	28	65	2.50	21.80

Every effort has been taken to ensure that the data listed in this catalogue is correct. Challenge accepts no liability for any inaccuracies or damage caused. All dimensions in millimetres unless otherwise stated.

## HTD® Taper Bore

### 8mm Pitch 8M-30 (30mm Wide Belt)

Product Description	Number of Teeth	Type	Bush Size	Material	Dp	De	Df	Dm	Di	F	S	R	Mass kg
22-8M-30	22	5FB	1008	S	56.02	54.65	60.00	-	41	38	22	6.00	0.24
24-8M-30	24	5FB	1108	S	61.12	59.75	66.00	-	42	38	22	16.00	0.38
26-8M-30	26	5FB	1108	S	66.21	64.84	71.00	-	46	38	22	16.00	0.45
28-8M-30	28	5FB	1108	S	71.30	70.08	75.00	-	50	38	25	13.00	0.50
30-8M-30	30	1FB	1615	S	76.39	75.13	83.00	-	-	38	38	-	0.55
32-8M-30	32	1FB	1615	S	81.49	80.16	87.00	-	-	38	38	-	0.59
34-8M-30	34	1FB	1615	S	86.58	85.22	91.00	-	-	38	38	-	0.77
36-8M-30	36	1FB	1615	S	91.67	90.30	98.50	-	-	38	38	-	0.96
38-8M-30	38	1FB	1615	CI	96.77	95.39	103.00	-	-	38	38	-	1.15
40-8M-30	40	1FB	1615	CI	101.86	100.49	106.00	-	-	38	38	-	1.34
44-8M-30	44	4FB	2012	CI	112.05	110.67	119.00	-	91	38	32	3.00	1.33
48-8M-30	48	4FB	2012	CI	122.23	120.86	127.00	-	95	38	32	3.00	1.78
56-8M-30	56	4FB	2012	CI	142.60	141.23	148.00	-	117	38	32	3.00	3.76
64-8M-30	64	8FB	2517	CI	162.97	161.60	168.00	125	-	38	45	7.00	4.20
72-8M-30	72	8FW	2517	CI	183.35	181.97	192.00	125	158	38	45	7.00	4.30
80-8M-30	80	8FW	2517	CI	203.72	202.35	-	125	180	38	45	7.00	4.60
90-8M-30	90	8A	2517	CI	229.18	227.81	-	125	204	38	45	7.00	5.00
112-8M-30	112	8A	2517	CI	285.21	283.83	-	125	260	38	45	7.00	6.20
144-8M-30	144	8A	2517	CI	366.69	365.32	-	125	341	38	45	7.00	9.00



Material; S = Steel, CI = Cast Iron

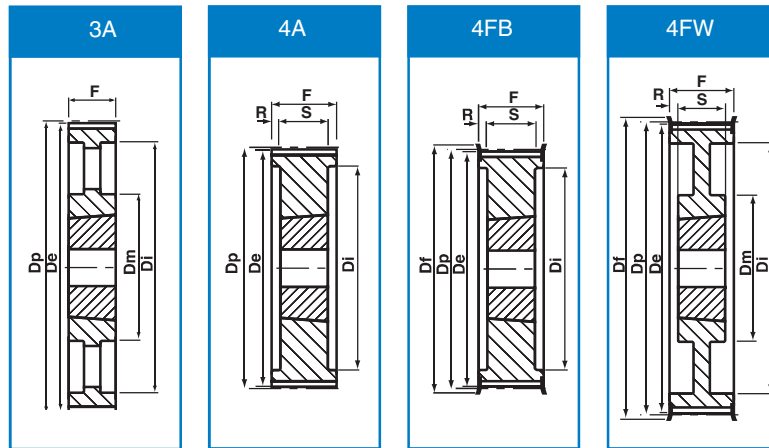
### 8mm Pitch 8M-50 (50mm Wide Belt)

Product Description	Number of Teeth	Type	Bush Size	Material	Dp	De	Df	Dm	Di	F	S	R	Mass kg
28-8M-50	28	5FB	1210	S	71.30	70.08	75.00	-	50	60	25	35.00	0.60
30-8M-50	30	5FB	1615	S	76.39	75.13	83.00	-	58	60	38	22.00	0.65
32-8M-50	32	5FB	1615	S	81.49	80.16	87.00	-	62	60	38	22.00	0.82
34-8M-50	34	5FB	1615	S	86.58	85.22	91.00	-	65	60	38	22.00	1.10
36-8M-50	36	5FB	1615	S	91.67	90.30	98.50	-	68	60	38	22.00	1.30
38-8M-50	38	5FB	1615	S	96.77	95.39	103.00	-	72	60	38	22.00	1.60
40-8M-50	40	4FB	2012	CI	101.86	100.49	106.00	-	82	60	32	14.00	1.71
44-8M-50	44	4FB	2012	CI	112.05	110.67	119.00	-	91	60	32	14.00	1.78
48-8M-50	48	4FB	2012	CI	122.23	120.86	127.00	-	96	60	32	14.00	2.30
56-8M-50	56	4FB	2517	CI	142.60	141.23	148.00	-	116	60	45	7.50	3.40
64-8M-50	64	4FB	2517	CI	162.97	161.60	168.00	-	137	60	45	7.50	5.00
72-8M-50	72	4FB	2517	CI	183.35	181.97	192.00	125	158	60	45	7.50	6.70
80-8M-50	80	4A	3020	CI	203.72	202.35	-	-	180	60	51	4.50	8.80
90-8M-50	90	9B	3020	CI	229.18	227.81	-	170	204	60	51	4.50	10.00
112-8M-50	112	9B	3020	CI	285.21	283.83	-	170	260	60	51	4.50	12.00
144-8M-50	144	9A	3020	CI	366.69	365.32	-	170	341	60	51	4.50	15.20
168-8M-50	168	7A	3525	CI	427.81	426.44	-	190	402	60	65	2.50	16.40
192-8M-50	192	7A	3525	CI	488.92	487.55	-	190	460	60	65	2.50	21.80

## HTD® Taper Bore

### 8mm Pitch 8M-85 (85mm Wide Belt)

Product Description	Number of Teeth	Type	Bush Size	Material	Dp	De	Df	Dm	Di	F	S	R	Mass kg
34-8M-85	34	4FB	1615	S	86.58	85.22	91.00	-	65	95	38	28.50	1.43
36-8M-85	36	4FB	1615	S	91.67	90.30	98.50	-	68	95	38	28.50	1.87
38-8M-85	38	4FB	1615	S	96.77	95.39	103.00	-	72	95	38	28.50	2.20
40-8M-85	40	4FB	2012	CI	101.86	100.49	106.00	-	82	95	32	31.50	1.80
44-8M-85	44	4FB	2012	CI	112.05	110.67	119.00	-	91	95	32	31.50	2.30
48-8M-85	48	4FB	2517	CI	122.23	120.86	127.00	-	100	95	45	25.00	2.66
56-8M-85	56	4FB	2517	CI	142.60	141.23	148.00	-	117	95	45	25.00	4.45
64-8M-85	64	4FB	2517	CI	162.97	161.60	168.00	-	137	95	45	25.00	6.20
72-8M-85	72	4FB	3020	CI	183.35	181.97	192.00	-	158	95	51	22.00	8.00
80-8M-85	80	4A	3020	CI	203.72	202.35	-	-	180	95	51	22.00	10.00
90-8M-85	90	9B	3020	CI	229.18	227.81	-	170	204	95	51	22.00	10.80
112-8M-85	112	9B	3020	CI	285.21	283.83	-	170	260	95	51	22.00	15.00
144-8M-85	144	9A	3525	CI	366.69	365.32	-	190	341	95	65	15.00	20.00
168-8M-85	168	9A	3525	CI	427.81	426.44	-	190	402	95	65	15.00	23.00
192-8M-85	192	9A	3525	CI	488.92	487.55	-	190	460	95	65	15.00	28.50



Material; S = Steel, CI = Cast Iron

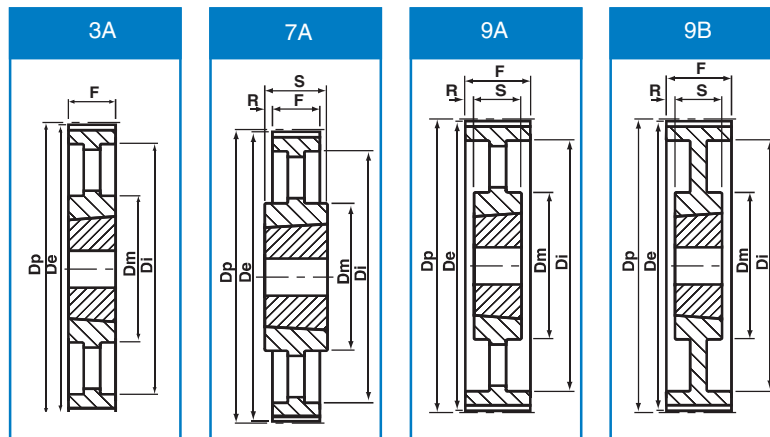
### 14mm Pitch 14M-40 (40mm Wide Belt)

Product Description	Number of Teeth	Type	Bush Size	Material	Dp	De	Df	Dm	Di	F	S	R	Mass kg
28-14M-40	28	4FB	2012	CI	124.78	122.12	127.00	-	98	54	32	11.00	2.10
29-14M-40	29	4FB	2012	CI	129.23	126.57	138.00	-	100	54	32	11.00	2.38
30-14M-40	30	4FB	2012	CI	133.69	130.99	138.00	-	100	54	32	11.00	2.65
32-14M-40	32	4FB	2012	CI	142.60	139.88	154.00	-	104	54	32	11.00	3.40
34-14M-40	34	4FB	2517	CI	151.52	148.79	160.00	-	110	54	45	4.50	3.87
36-14M-40	36	4FB	2517	CI	160.43	157.68	168.00	-	120	54	45	4.50	4.80
38-14M-40	38	4FB	2517	CI	169.34	166.60	183.00	-	130	54	45	4.50	5.40
40-14M-40	40	4FB	2517	CI	178.28	175.49	188.00	-	138	54	45	4.50	6.00
44-14M-40	44	4FB	3020	CI	196.08	193.28	211.00	-	155	54	51	1.50	7.80
48-14M-40	48	4FB	3020	CI	213.90	211.11	226.00	-	170	54	51	1.50	9.40
56-14M-40	56	4FW	3020	CI	249.55	246.76	256.00	170	208	54	51	1.50	10.10
64-14M-40	64	4FW	3020	CI	285.21	282.41	296.00	170	242	54	51	1.50	13.40
72-14M-40	72	9B	3020	CI	320.86	318.06	-	170	280	54	51	1.50	15.20
80-14M-40	80	9A	3020	CI	356.51	353.71	-	170	315	54	51	1.50	16.00
90-14M-40	90	9A	3020	CI	401.07	398.28	-	170	360	54	51	1.50	17.80
112-14M-40	112	9A	3020	CI	499.11	496.32	-	170	457	54	51	1.50	25.60
144-14M-40	144	9A	3020	CI	641.71	638.92	-	170	600	54	51	1.50	32.00
168-14M-40	168	9A	3020	CI	748.66	745.87	-	170	706	54	51	1.50	44.00
192-14M-40	192	9A	3020	CI	855.62	852.82	-	170	813	54	51	1.50	49.00
216-14M-40	216	9A	3020	CI	962.57	959.76	-	170	920	54	51	1.50	55.00

## HTD® Taper Bore

### 14mm Pitch 14M-55 (55mm Wide Belt)

Product Description	Number of Teeth	Type	Bush Size	Material	Dp	De	Df	Dm	Di	F	S	R	Mass kg
28-14M-55	28	4FB	2012	CI	124.78	122.12	127.00	-	98	70	32	19.00	2.20
29-14M-55	29	4FB	2012	CI	129.23	126.57	138.00	-	100	70	32	19.00	2.74
30-14M-55	30	4FB	2517	CI	133.69	130.99	138.00	-	100	70	45	12.50	2.70
32-14M-55	32	4FB	2517	CI	142.60	139.88	154.00	-	108	70	45	12.50	3.66
34-14M-55	34	4FB	2517	CI	151.52	148.79	160.00	-	110	70	45	12.50	4.55
36-14M-55	36	4FB	2517	CI	160.43	157.68	168.00	-	120	70	45	12.50	5.20
38-14M-55	38	4FB	2517	CI	169.34	166.60	183.00	-	130	70	45	12.50	6.20
40-14M-55	40	4FB	2517	CI	178.25	175.49	188.00	-	138	70	45	12.50	7.00
44-14M-55	44	4FB	3020	CI	196.08	193.28	211.00	-	155	70	51	9.50	8.60
48-14M-55	48	4FB	3020	CI	213.90	211.11	226.00	-	170	70	51	9.50	10.40
56-14M-55	56	4FW	3020	CI	249.55	246.76	256.00	170	208	70	51	9.50	12.00
64-14M-55	64	4FW	3020	CI	285.21	282.41	296.00	170	242	70	51	9.50	14.50
72-14M-55	72	9B	3020	CI	320.86	318.06	-	170	280	70	51	9.50	16.20
80-14M-55	80	9A	3020	CI	356.51	353.71	-	170	315	70	51	9.50	17.50
90-14M-55	90	9A	3020	CI	401.07	398.28	-	170	360	70	51	9.50	20.10
112-14M-55	112	9A	3020	CI	499.11	496.32	-	170	457	70	51	9.50	28.40
144-14M-55	144	9A	3020	CI	641.71	638.92	-	170	600	70	51	9.50	36.20
168-14M-55	168	9A	3020	CI	748.66	745.87	-	170	706	70	51	9.50	49.00
192-14M-55	192	9A	3020	CI	855.62	852.82	-	170	813	70	51	9.50	53.00
216-14M-55	216	7A	3535	CI	962.57	959.76	-	190	920	70	89	9.50	65.90



Material; CI = Cast Iron

### 14mm Pitch 14M-85 (85mm Wide Belt)

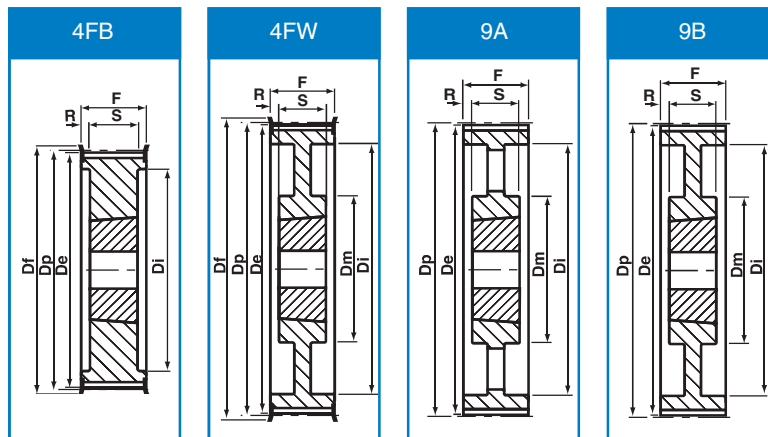
Product Description	Number of Teeth	Type	Bush Size	Material	Dp	De	Df	Dm	Di	F	S	R	Mass kg
28-14M-85	28	4FB	2517	CI	124.78	122.12	127.00	-	98	102	45	28.50	2.70
29-14M-85	29	4FB	2517	CI	129.23	126.57	138.00	-	100	102	45	28.50	3.40
30-14M-85	30	4FB	2517	CI	133.69	130.99	138.00	-	100	102	45	28.50	3.75
32-14M-85	32	4FB	2517	CI	142.60	139.88	154.00	-	108	102	45	28.50	4.80
34-14M-85	34	4FB	2517	CI	151.52	148.79	160.00	-	110	102	45	28.50	6.00
36-14M-85	36	4FB	3020	CI	160.43	157.68	168.00	-	125	102	51	25.50	5.80
38-14M-85	38	4FB	3020	CI	169.34	166.60	183.00	-	130	102	51	25.50	6.80
40-14M-85	40	4FB	3020	CI	178.25	175.49	188.00	-	138	102	51	25.50	8.00
44-14M-85	44	4FB	3030	CI	196.08	193.28	211.00	-	155	102	76	13.00	11.80
48-14M-85	48	4FB	3030	CI	213.90	211.11	226.00	-	170	102	76	13.00	15.10
56-14M-85	56	4FB	3535	CI	249.55	246.76	256.00	190	210	102	89	6.50	18.00
64-14M-85	64	4FW	3535	CI	285.21	282.41	296.00	190	242	102	89	6.50	23.00
72-14M-85	72	9B	3535	CI	320.86	318.06	-	190	280	102	89	6.50	25.00
80-14M-85	80	9A	3535	CI	356.51	353.71	-	190	315	102	89	6.50	26.00
90-14M-85	90	9A	3535	CI	401.07	398.28	-	190	360	102	89	6.50	28.00
112-14M-85	112	9A	3535	CI	499.11	496.32	-	190	457	102	89	6.50	36.50
144-14M-85	144	9A	3535	CI	641.71	638.92	-	190	600	102	89	6.50	48.00
168-14M-85	168	9A	3535	CI	748.66	745.87	-	190	706	102	89	6.50	60.00
192-14M-85	192	3A	4040	CI	855.62	852.82	-	230	813	102	102	-	86.00
216-14M-85	216	3A	4040	CI	962.57	959.76	-	230	920	102	102	-	91.50

All dimensions in millimetres unless otherwise stated. Every effort has been taken to ensure that the data listed in this catalogue is correct. Challenge accepts no liability for any inaccuracies or damage caused

## HTD® Taper Bore

### 14mm Pitch 14M-115 (115mm Wide Belt)

Product Description	Number of Teeth	Type	Bush Size	Material	Dp	De	Df	Dm	Di	F	S	R	Mass kg
28-14M-115	28	4FB	2517	CI	124.78	122.12	127.00	-	98	133	45	44.00	3.70
29-14M-115	29	4FB	2517	CI	129.23	126.57	138.00	-	100	133	45	44.00	4.00
30-14M-115	30	4FB	2517	CI	133.69	130.99	138.00	-	100	133	45	44.00	5.00
32-14M-115	32	4FB	2517	CI	142.60	139.88	154.00	-	108	133	45	44.00	6.80
34-14M-115	34	4FB	2517	CI	151.52	148.79	160.00	-	110	133	45	44.00	6.80
36-14M-115	36	4FB	3020	CI	160.43	157.68	168.00	-	125	133	51	41.00	7.00
38-14M-115	38	4FB	3020	CI	169.34	166.60	183.00	-	130	133	51	41.00	8.40
40-14M-115	40	4FB	3020	CI	178.25	175.49	188.00	-	140	133	51	41.00	9.20
44-14M-115	44	4FB	3030	CI	196.08	193.28	211.00	-	155	133	76	28.50	14.00
48-14M-115	48	4FB	3030	CI	213.90	211.11	226.00	-	170	133	76	28.50	17.10
56-14M-115	56	4FB	3535	CI	249.55	246.76	265.00	-	210	133	89	22.00	24.80
64-14M-115	64	4FW	3535	CI	285.21	282.41	296.00	190	242	133	89	22.00	27.00
72-14M-115	72	9B	3535	CI	320.86	318.06	-	190	280	133	89	22.00	29.00
80-14M-115	80	9A	3535	CI	356.51	353.71	-	190	315	133	89	22.00	32.00
90-14M-115	90	9A	3535	CI	401.07	398.28	-	190	360	133	89	22.00	36.50
112-14M-115	112	9A	3535	CI	499.11	496.32	-	190	457	133	89	22.00	46.00
144-14M-115	144	9A	4040	CI	641.71	638.92	-	230	600	133	102	15.50	68.00
168-14M-115	168	9A	4040	CI	748.66	745.87	-	230	706	133	102	15.50	82.60
192-14M-115	192	9A	4040	CI	855.62	852.82	-	230	813	133	102	15.50	96.00
216-14M-115	216	9A	4040	CI	962.57	959.76	-	230	920	133	102	15.50	107.00



Material; CI = Cast Iron

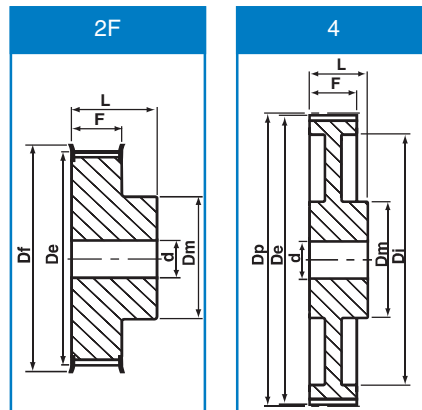
### 14mm Pitch 14M-170 (170mm Wide Belt)

Product Description	Number of Teeth	Type	Bush Size	Material	Dp	De	Df	Dm	Di	F	S	R	Mass kg
38-14M-170	38	4FB	3030	CI	169.34	166.60	183.00	-	130	187	76	55.50	11.70
40-14M-170	40	4FB	3030	CI	178.25	175.49	188.00	-	140	187	76	55.50	13.00
44-14M-170	44	4FB	3535	CI	196.08	193.28	211.00	-	155	187	89	49.00	15.00
48-14M-170	48	4FB	3535	CI	213.90	211.11	226.00	-	175	187	89	49.00	19.00
56-14M-170	56	4FB	3535	CI	249.55	246.76	256.00	-	210	187	89	49.00	28.50
64-14M-170	64	4FB	4040	CI	285.21	282.41	296.00	-	240	187	102	42.50	41.00
72-14M-170	72	9B	4040	CI	320.86	318.06	-	230	280	187	102	42.50	46.90
80-14M-170	80	9B	4040	CI	356.51	353.71	-	230	315	187	102	42.50	48.00
90-14M-170	90	9A	4040	CI	401.07	398.28	-	230	360	187	102	42.50	52.50
112-14M-170	112	9A	5050	CI	499.11	496.32	-	265	456	187	127	30.00	74.50
144-14M-170	144	9A	5050	CI	641.71	638.92	-	265	600	187	127	30.00	91.00
168-14M-170	168	9A	5050	CI	748.66	745.87	-	265	706	187	127	30.00	116.00
192-14M-170	192	9A	5050	CI	855.62	852.82	-	265	813	187	127	30.00	134.00
216-14M-170	216	9A	5050	CI	962.57	959.76	-	265	920	187	127	30.00	146.50

## HTD® Pilot Bore

### 5mm Pitch 5M-09 (9mm Wide Belt)

Product Designation	Number of Teeth	Type	Material	De	Dp	Df	Dm	Di	F	L	d	Mass kg
12-5M-09	12	2F	S	17.96	19.10	23	13	-	14.5	20.0	6	0.02
14-5M-09	14	2F	S	21.14	22.28	25	14	-	14.5	20.0	6	0.03
15-5M-09	15	2F	S	22.73	23.87	28	16	-	14.5	20.0	6	0.04
16-5M-09	16	2F	S	24.32	25.46	28	17	-	14.5	20.0	6	0.05
18-5M-09	18	2F	S	27.51	28.65	32	20	-	14.5	20.0	6	0.07
20-5M-09	20	2F	S	30.69	31.83	37	23	-	14.5	22.5	6	0.09
21-5M-09	21	2F	S	32.28	33.42	38	24	-	14.5	22.5	6	0.11
22-5M-09	22	2F	S	33.87	35.01	38	26	-	14.5	22.5	6	0.11
24-5M-09	24	2F	S	37.06	38.20	43	27	-	14.5	22.5	6	0.14
26-5M-09	26	2F	S	40.24	41.38	44	30	-	14.5	22.5	6	0.17
28-5M-09	28	2F	S	43.42	44.56	48	31	-	14.5	22.5	6	0.20
30-5M-09	30	2F	S	46.60	47.75	51	35	-	14.5	22.5	6	0.23
32-5M-09	32	2F	S	49.79	50.93	54	38	-	14.5	22.5	8	0.27
36-5M-09	36	2F	S	56.16	57.30	60	38	-	14.5	22.5	8	0.32
40-5M-09	40	2F	S	62.52	63.66	70	38	-	14.5	22.5	8	0.40
44-5M-09	44	4	S	68.89	70.03	-	38	-	14.5	25.5	8	0.17
48-5M-09	48	4	S	75.25	76.39	-	45	-	14.5	25.5	8	0.18
60-5M-09	60	4	S	94.35	95.49	-	45	-	14.5	25.5	8	0.23
72-5M-09	72	4	S	113.45	114.59	-	45	-	14.5	25.5	8	0.27



Material; S = Steel, CI = Cast Iron

### 5mm Pitch 5M-15 (15mm Wide Belt)

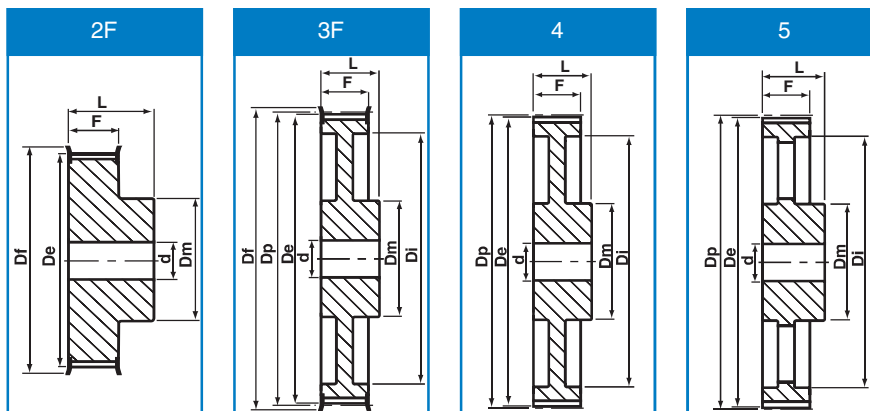
Product Designation	Number of Teeth	Type	Material	De	Dp	Df	Dm	Di	F	L	d	Mass kg
12-5M-15	12	2F	S	17.96	19.10	23	13	-	20.5	26.0	6	0.03
14-5M-15	14	2F	S	21.14	22.28	25	14	-	20.5	26.0	6	0.04
15-5M-15	15	2F	S	22.73	23.87	28	16	-	20.5	26.0	6	0.05
16-5M-15	16	2F	S	24.32	25.45	28	17	-	20.5	26.0	6	0.06
18-5M-15	18	2F	S	27.51	28.65	32	20	-	20.5	26.0	6	0.08
20-5M-15	20	2F	S	30.69	31.83	37	23	-	20.5	26.0	6	0.11
21-5M-15	21	2F	S	32.28	33.42	38	24	-	20.5	26.0	6	0.13
22-5M-15	22	2F	S	33.87	35.01	38	26	-	20.5	26.0	6	0.14
24-5M-15	24	2F	S	37.06	38.20	43	27	-	20.5	28.0	6	0.18
26-5M-15	26	2F	S	40.24	41.38	44	30	-	20.5	28.0	6	0.22
28-5M-15	28	2F	S	43.42	44.56	48	31	-	20.5	28.0	6	0.25
30-5M-15	30	2F	S	46.60	47.75	51	35	-	20.5	28.0	6	0.30
32-5M-15	32	2F	S	49.79	50.93	54	38	-	20.5	28.0	8	0.35
36-5M-15	36	2F	S	56.16	57.30	60	38	-	20.5	28.0	8	0.42
40-5M-15	40	2F	S	62.52	63.66	70	38	-	20.5	28.0	8	0.52
44-5M-15	44	4	S	68.89	70.03	-	38	-	20.5	30.0	8	0.22
48-5M-15	48	4	S	75.25	76.39	-	38	-	20.5	30.0	8	0.28
60-5M-15	60	4	S	94.35	95.49	-	50	-	20.5	30.0	8	0.30
72-5M-15	72	4	CI	113.45	114.59	-	50	-	20.5	30.0	8	0.36

All dimensions in millimetres unless otherwise stated. Every effort has been taken to ensure that the data listed in this catalogue is correct. Challenge accepts no liability for any inaccuracies or damage caused

## HTD® Pilot Bore

### 5mm Pitch 5M-25 (25mm Wide Belt)

Product Designation	Number of Teeth	Type	Material	De	Dp	Df	Dm	Di	F	L	d	Mass kg
12-5M-25	12	2F	S	17.96	19.10	23	13	-	30.5	36.0	6	0.05
14-5M-25	14	2F	S	21.14	22.28	25	14	-	30.5	36.0	6	0.07
15-5M-25	15	2F	S	22.73	23.87	28	16	-	30.5	36.0	6	0.08
16-5M-25	16	2F	S	24.32	25.45	28	17	-	30.5	36.0	6	0.10
18-5M-25	18	2F	S	27.51	28.65	32	20	-	30.5	36.0	6	0.12
20-5M-25	20	2F	S	30.69	31.83	37	23	-	30.5	36.0	6	0.16
21-5M-25	21	2F	S	32.28	33.42	38	24	-	30.5	38.0	6	0.19
22-5M-25	22	2F	S	33.87	35.01	38	26	-	30.5	38.0	6	0.21
24-5M-25	24	2F	S	37.06	38.20	43	27	-	30.5	38.0	6	0.25
26-5M-25	26	2F	S	40.24	41.38	44	30	-	30.5	38.0	6	0.30
28-5M-25	28	2F	S	43.42	44.56	48	31	-	30.5	38.0	6	0.35
30-5M-25	30	2F	S	46.60	47.75	51	35	-	30.5	38.0	6	0.42
32-5M-25	32	2F	S	49.79	50.93	54	38	-	30.5	38.0	8	0.48
36-5M-25	36	2F	S	56.16	57.30	60	39	-	30.5	38.0	8	0.59
40-5M-25	40	2F	S	62.52	63.66	70	38	-	30.5	38.0	8	0.74
44-5M-25	44	4	S	68.89	70.03	-	38	-	30.5	40.0	8	0.32
48-5M-25	48	4	S	75.25	76.39	-	38	-	30.5	40.0	8	0.28
60-5M-25	60	4	S	94.35	95.49	-	50	-	30.5	40.0	8	0.44
72-5M-25	72	4	CI	113.45	114.59	-	50	-	30.5	40.0	8	0.53



Material; S = Steel, CI = Cast Iron

### 8mm Pitch 8M-20 (20mm Wide Belt)

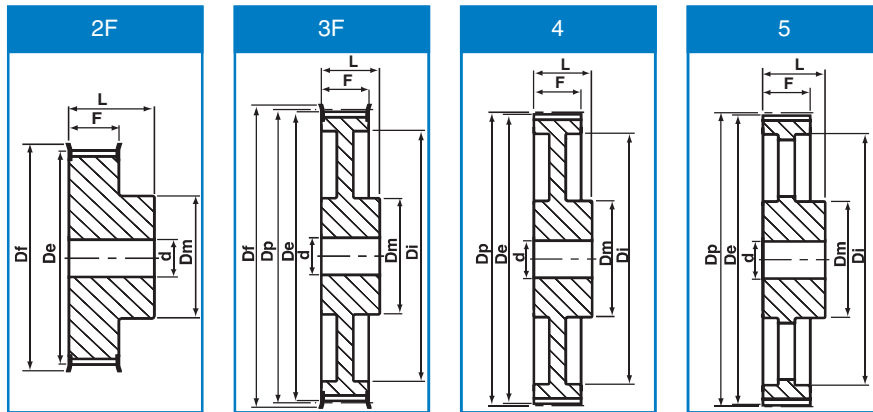
Product Designation	Number of Teeth	Type	Material	De	Dp	Df	Dm	Di	F	L	d	Mass kg
22-8M-20	22	2F	S	54.65	56.02	60	43	-	28	38.0	12	0.54
24-8M-20	24	2F	S	59.75	61.12	67	45	-	28	38.0	12	0.65
26-8M-20	26	2F	S	64.85	66.21	70	50	-	28	38.0	12	0.80
28-8M-20	28	2F	S	70.08	71.30	75	50	-	28	38.0	16	0.87
30-8M-20	30	2F	S	75.13	76.39	83	55	-	28	38.0	16	1.02
32-8M-20	32	2F	S	80.16	81.49	87	60	-	28	38.0	16	1.20
34-8M-20	34	2F	S	85.22	86.58	91	70	-	28	38.0	16	1.40
36-8M-20	36	2F	S	90.30	91.67	97	70	-	28	38.0	16	1.55
38-8M-20	38	2F	S	95.39	96.77	102	75	-	28	38.0	16	1.65
40-8M-20	40	2F	CI	100.49	101.86	106	75	-	28	38.0	16	1.74
44-8M-20	44	2F	CI	110.67	112.05	120	75	-	28	38.0	16	2.10
48-8M-20	48	2F	CI	120.86	122.23	128	75	-	28	38.0	16	2.44
56-8M-20	56	3F	CI	141.23	142.60	150	80	117	28	38.0	16	2.60
64-8M-20	64	3F	CI	161.60	162.97	168	80	137	28	38.0	16	2.90
72-8M-20	72	3F	CI	181.97	183.35	192	80	158	28	38.0	16	3.10
80-8M-20	80	4	CI	202.35	203.72	-	90	180	28	38.0	16	3.80
90-8M-20	90	4	CI	227.81	229.18	-	90	204	28	38.0	16	4.20
112-8M-20	112	5	CI	283.83	285.21	-	90	260	28	38.0	16	5.20
144-8M-20	144	5	CI	365.32	366.69	-	90	341	28	38.0	20	7.50
168-8M-20	168	5	CI	426.44	427.81	-	100	402	28	38.0	20	10.00
192-8M-20	192	5	CI	487.55	488.92	-	100	463	28	38.0	20	14.40

Every effort has been taken to ensure that the data listed in this catalogue is correct. Challenge accepts no liability for any inaccuracies or damage caused. All dimensions in millimetres unless otherwise stated.

## HTD® Pilot Bore

### 8mm Pitch 8M-30 (30mm Wide Belt)

Product Designation	Number of Teeth	Type	Material	De	Dp	Df	Dm	Di	F	L	d	Mass kg
22-8M-30	22	2F	S	54.65	56.02	60	43	-	38	48.0	12	0.69
24-8M-30	24	2F	S	59.75	61.12	67	45	-	38	48.0	12	0.84
26-8M-30	26	2F	S	64.85	66.21	70	50	-	38	48.0	12	1.00
28-8M-30	28	2F	S	70.08	71.30	75	50	-	38	48.0	16	1.12
30-8M-30	30	2F	S	75.13	76.39	83	55	-	38	48.0	16	1.32
32-8M-30	32	2F	S	80.16	81.49	87	60	-	38	48.0	16	1.53
34-8M-30	34	2F	S	85.22	86.58	91	70	-	38	48.0	16	1.80
36-8M-30	36	2F	S	90.30	91.67	97	70	-	38	48.0	16	1.99
38-8M-30	38	2F	S	95.39	96.77	102	75	-	38	48.0	16	2.27
40-8M-30	40	2F	C	100.49	101.86	106	75	-	38	48.0	16	2.40
44-8M-30	44	2F	CI	110.67	112.05	120	75	-	38	48.0	16	2.80
48-8M-30	48	2F	CI	120.86	122.23	128	75	-	38	48.0	16	3.20
56-8M-30	56	3F	CI	141.23	142.60	150	80	117	38	48.0	16	3.60
64-8M-30	64	3F	CI	161.60	162.97	168	80	138	38	48.0	16	4.30
72-8M-30	72	3F	CI	181.97	183.35	192	80	158	38	48.0	16	4.80
80-8M-30	80	4	CI	202.35	203.72	-	90	180	38	48.0	16	5.10
90-8M-30	90	4	CI	227.81	229.18	-	90	204	38	48.0	16	5.70
112-8M-30	112	5	CI	283.83	285.21	-	90	260	38	48.0	16	6.80
144-8M-30	144	5	CI	365.32	366.69	-	90	341	38	48.0	20	9.30
168-8M-30	168	5	CI	426.44	427.81	-	100	402	38	48.0	20	11.40
192-8M-30	192	5	CI	487.55	488.92	-	100	463	38	48.0	20	16.00



Material; S = Steel, CI = Cast Iron

### 8mm Pitch 8M-50 (50mm Wide Belt)

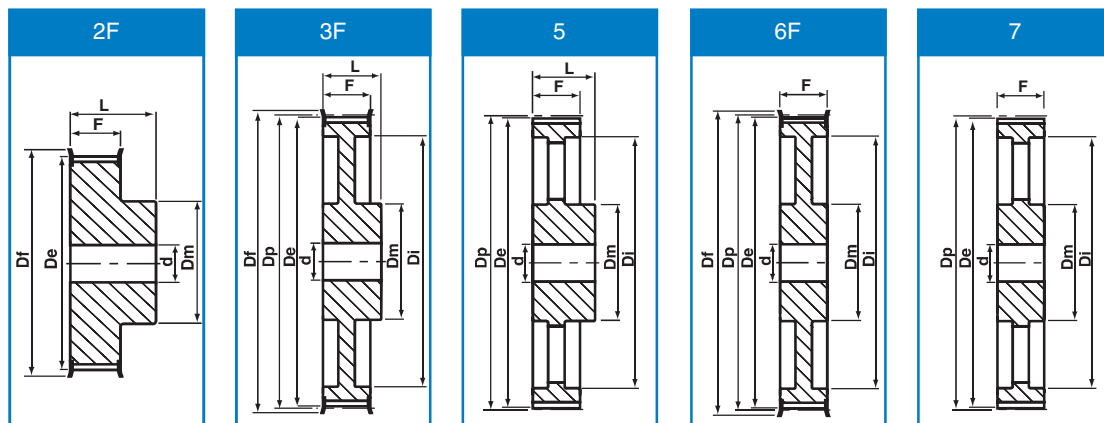
Product Designation	Number of Teeth	Type	Material	De	Dp	Df	Dm	Di	F	L	d	Mass kg
22-8M-50	22	2F	S	54.65	56.02	60	43	-	60	70.0	12	1.00
24-8M-50	24	2F	S	59.75	61.12	67	45	-	60	70.0	12	1.23
26-8M-50	26	2F	S	64.84	66.21	70	50	-	60	70.0	12	1.50
28-8M-50	28	2F	S	70.08	71.30	75	50	-	60	70.0	16	1.67
30-8M-50	30	2F	S	75.13	76.39	83	55	-	60	70.0	16	1.97
32-8M-50	32	2F	S	80.16	81.49	87	60	-	60	70.0	16	2.27
34-8M-50	34	2F	S	85.22	86.58	91	70	-	60	70.0	16	2.69
36-8M-50	36	2F	S	90.30	91.67	97	70	-	60	70.0	16	2.97
38-8M-50	38	2F	S	95.39	96.77	102	75	-	60	70.0	16	3.23
40-8M-50	40	2F	C	100.49	101.86	106	75	-	60	70.0	18	3.50
44-8M-50	44	2F	C	110.67	112.05	120	75	-	60	70.0	18	3.90
48-8M-50	48	2F	C	120.86	122.23	128	80	-	60	70.0	18	4.30
56-8M-50	56	6F	C	141.23	142.60	150	90	117	60	60.0	18	5.00
64-8M-50	64	6F	C	161.60	162.97	168	100	137	60	60.0	18	5.60
72-8M-50	72	6F	C	181.97	183.35	192	100	158	60	60.0	18	6.80
80-8M-50	80	7	C	202.35	203.72	-	110	180	60	60.0	18	6.90
90-8M-50	90	7	C	227.81	229.18	-	110	204	60	60.0	18	8.60
112-8M-50	112	7	C	283.83	285.21	-	110	260	60	60.0	18	9.60
144-8M-50	144	7	C	365.32	366.69	-	110	341	60	60.0	20	13.80
168-8M-50	168	7	C	426.44	427.81	-	120	402	60	60.0	20	16.00
192-8M-50	192	7	C	487.55	488.92	-	130	463	60	60.0	20	22.40

All dimensions in millimetres unless otherwise stated. Every effort has been taken to ensure that the data listed in this catalogue is correct. Challenge accepts no liability for any inaccuracies or damage caused

## HTD® Pilot Bore

### 8mm Pitch 8M-85 (85mm Wide Belt)

Product Designation	Number of Teeth	Type	Material	De	Dp	Df	Dm	Di	F	L	d	Mass kg
22-8M-85	22	2F	S	54.65	56.02	60	43	-	95	105.0	12	1.55
24-8M-85	24	2F	S	59.75	61.12	67	45	-	95	105.0	12	1.90
26-8M-85	26	2F	S	64.84	66.21	70	50	-	95	105.0	12	2.25
28-8M-85	28	2F	S	70.08	71.30	75	50	-	95	105.0	16	2.55
30-8M-85	30	2F	S	75.13	76.39	83	55	-	95	105.0	16	3.00
32-8M-85	32	2F	S	80.16	81.49	87	60	-	95	105.0	16	3.57
34-8M-85	34	2F	S	85.22	86.58	91	70	-	95	105.0	16	4.00
36-8M-85	36	2F	S	90.30	91.67	97	70	-	95	105.0	16	4.50
38-8M-85	38	2F	S	95.39	96.77	102	75	-	95	105.0	16	4.90
40-8M-85	40	2F	CI	100.49	101.86	106	75	-	95	105.0	16	5.20
44-8M-85	44	2F	CI	110.67	112.05	120	75	-	95	105.0	18	6.60
48-8M-85	48	2F	CI	120.86	122.23	128	80	-	95	105.0	18	7.60
56-8M-85	56	2F	CI	141.23	142.60	150	90	-	95	105.0	18	9.80
64-8M-85	64	6F	CI	161.60	162.97	168	100	137	95	95.0	20	10.40
72-8M-85	72	6F	CI	181.97	183.35	192	100	158	95	95.0	20	11.40
80-8M-85	80	7	CI	202.35	203.72	-	110	180	95	95.0	20	13.20
90-8M-85	90	7	CI	227.81	229.18	-	110	204	95	95.0	20	16.30
112-8M-85	112	7	CI	283.83	285.21	-	110	260	95	95.0	25	21.50
144-8M-85	144	7	CI	365.32	366.69	-	110	341	95	95.0	25	23.60
168-8M-85	168	7	CI	426.44	427.81	-	120	402	95	95.0	25	26.10
192-8M-85	192	7	CI	487.55	488.92	-	130	463	95	95.0	25	30.60



Material; S = Steel, CI = Cast Iron

### 14mm Pitch 14M-40 (40mm Wide Belt)

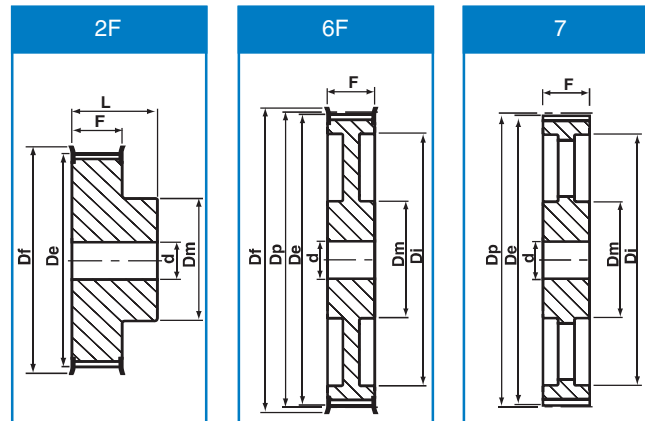
Product Designation	Number of Teeth	Type	Material	De	Dp	Df	Dm	Di	F	L	d	Mass kg
28-14M-40	28	2F	CI	122.12	124.78	128	100	-	54	69.0	24	4.73
29-14M-40	29	2F	CI	126.57	129.23	142	100	-	54	69.0	24	5.09
30-14M-40	30	2F	CI	130.99	133.69	142	100	-	54	69.0	24	5.45
32-14M-40	32	2F	CI	139.88	142.60	158	100	-	54	69.0	24	6.17
34-14M-40	34	2F	CI	148.79	151.52	158	100	-	54	69.0	24	6.88
36-14M-40	36	2F	CI	157.68	160.43	168	100	-	54	69.0	24	7.60
38-14M-40	38	2F	CI	166.60	169.34	184	120	-	54	69.0	24	8.28
40-14M-40	40	2F	CI	175.49	178.25	192	120	-	54	69.0	24	9.26
44-14M-40	44	2F	CI	193.28	196.08	211	120	-	54	69.0	24	10.32
48-14M-40	48	3F	CI	211.11	213.90	226	135	172	54	69.0	24	11.50
56-14M-40	56	3F	CI	246.76	249.55	265	135	207	54	69.0	28	13.05
64-14M-40	64	3F	CI	282.41	285.21	296	135	242	54	69.0	28	14.40
72-14M-40	72	5	CI	318.06	320.86	-	135	278	54	69.0	28	16.90
80-14M-40	80	5	CI	353.71	356.51	-	135	314	54	69.0	28	18.50
90-14M-40	90	5	CI	398.28	401.07	-	135	358	54	69.0	28	20.00
112-14M-40	112	5	CI	496.32	499.11	-	135	456	54	69.0	28	26.70
144-14M-40	144	5	CI	638.92	641.71	-	135	600	54	69.0	28	35.00
168-14M-40	168	5	CI	745.87	748.66	-	135	706	54	69.0	28	44.20
192-14M-40	192	5	CI	852.82	855.62	-	135	813	54	69.0	28	52.20
216-14M-40	216	5	CI	959.76	962.57	-	150	920	54	69.0	28	60.00

Every effort has been taken to ensure that the data listed in this catalogue is correct. Challenge accepts no liability for any inaccuracies or damage caused. All dimensions in millimetres unless otherwise stated.

## HTD<sup>®</sup> Pilot Bore

### 14mm Pitch 14M-55 (55mm Wide Belt)

Product Designation	Number of Teeth	Type	Material	De	Dp	Df	Dm	Di	F	L	d	Mass kg
28-14M-55	28	2F	CI	122.12	124.78	128	100	-	70	85.0	24	5.60
29-14M-55	29	2F	CI	126.57	129.23	142	100	-	70	85.0	24	6.10
30-14M-55	30	2F	CI	130.99	133.69	142	100	-	70	85.0	24	6.60
32-14M-55	32	2F	CI	139.88	142.60	158	100	-	70	85.0	24	7.60
34-14M-55	34	2F	CI	148.79	151.52	158	100	-	70	85.0	24	8.60
36-14M-55	36	2F	CI	157.68	160.43	168	100	-	70	85.0	24	9.60
38-14M-55	38	2F	CI	166.60	169.34	184	120	-	70	85.0	24	10.80
40-14M-55	40	2F	CI	175.49	178.25	192	120	-	70	85.0	24	11.20
44-14M-55	44	2F	CI	193.28	196.08	211	120	-	70	85.0	24	12.50
48-14M-55	48	6F	CI	211.11	213.90	226	135	172	70	70.0	24	13.70
56-14M-55	56	6F	CI	246.76	249.55	265	135	207	70	70.0	28	14.50
64-14M-55	64	6F	CI	282.41	285.21	296	135	242	70	70.0	28	15.60
72-14M-55	72	7	CI	318.06	320.86	-	135	278	70	70.0	28	16.90
80-14M-55	80	7	CI	353.71	356.51	-	135	314	70	70.0	28	20.00
90-14M-55	90	7	CI	398.28	401.07	-	135	358	70	70.0	28	22.60
112-14M-55	112	7	CI	496.32	499.11	-	135	456	70	70.0	28	29.50
144-14M-55	144	7	CI	638.92	641.71	-	135	600	70	70.0	28	39.00
168-14M-55	168	7	CI	745.87	748.66	-	135	706	70	70.0	28	48.50
192-14M-55	192	7	CI	852.82	855.62	-	135	813	70	70.0	28	57.80
216-14M-55	216	7	CI	959.76	962.57	-	150	920	70	70.0	28	67.00



Material; CI = Cast Iron

### 14mm Pitch 14M-85 (85mm Wide Belt)

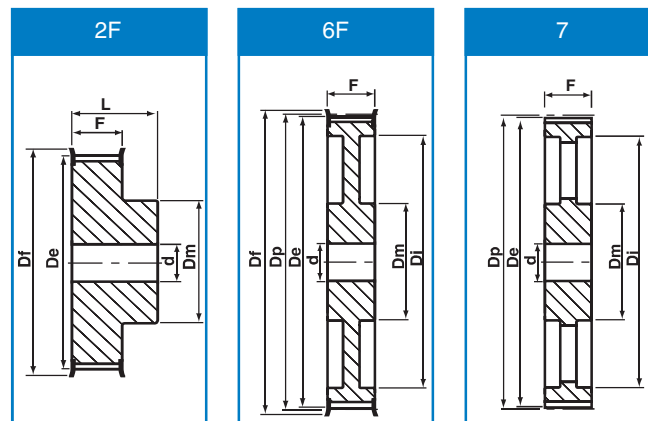
Product Designation	Number of Teeth	Type	Material	De	Dp	Df	Dm	Di	F	L	d	Mass kg
28-14M-85	28	2F	CI	122.12	124.78	128	100	-	102	117.0	24	7.70
29-14M-85	29	2F	CI	126.57	129.23	142	100	-	102	117.0	24	8.40
30-14M-85	30	2F	CI	130.99	133.69	142	100	-	102	117.0	24	9.10
32-14M-85	32	2F	CI	139.88	142.60	158	100	-	102	117.0	24	10.50
34-14M-85	34	2F	CI	148.79	151.52	158	100	-	102	117.0	24	11.90
36-14M-85	36	2F	CI	157.68	160.43	168	100	-	102	117.0	32	13.20
38-14M-85	38	2F	CI	166.60	169.34	184	120	-	102	117.0	32	15.15
40-14M-85	40	2F	CI	175.49	178.25	192	135	-	102	117.0	32	17.10
44-14M-85	44	2F	CI	193.28	196.08	211	135	-	102	117.0	32	23.30
48-14M-85	48	2F	CI	211.11	213.90	226	150	-	102	117.0	32	25.00
56-14M-85	56	6F	CI	246.76	249.55	265	150	207	102	102.0	32	25.00
64-14M-85	64	6F	CI	282.41	285.21	296	150	242	102	102.0	32	30.50
72-14M-85	72	7	CI	318.06	320.86	-	150	278	102	102.0	32	28.80
80-14M-85	80	7	CI	353.71	356.51	-	150	314	102	102.0	32	30.10
90-14M-85	90	7	CI	398.28	401.07	-	150	358	102	102.0	32	33.00
112-14M-85	112	7	CI	496.32	499.11	-	150	456	102	102.0	32	41.80
144-14M-85	144	7	CI	638.92	641.71	-	150	600	102	102.0	32	52.40
168-14M-85	168	7	CI	745.87	748.66	-	150	706	102	102.0	32	60.30
192-14M-85	192	7	CI	852.82	855.62	-	165	813	102	102.0	32	70.20
216-14M-85	216	7	CI	959.76	962.57	-	165	920	102	102.0	32	81.00

All dimensions in millimetres unless otherwise stated. Every effort has been taken to ensure that the data listed in this catalogue is correct. Challenge accepts no liability for any inaccuracies or damage caused

## HTD® Pilot Bore

### 14mm Pitch 14M-115 (115mm Wide Belt)

Product Designation	Number of Teeth	Type	Material	De	Dp	Df	Dm	Di	F	L	d	Mass kg
28-14M-115	28	2F	C	122.12	124.78	128	100	-	133	148.0	32	9.20
29-14M-115	29	2F	C	126.57	129.23	142	100	-	133	148.0	32	10.20
30-14M-115	30	2F	C	130.99	133.69	142	100	-	133	148.0	32	11.20
32-14M-115	32	2F	C	139.88	142.60	158	100	-	133	148.0	32	13.20
34-14M-115	34	2F	C	148.79	151.52	158	100	-	133	148.0	32	14.80
36-14M-115	36	2F	C	157.68	160.43	168	100	-	133	148.0	32	16.60
38-14M-115	38	2F	C	166.60	169.34	184	120	-	133	148.0	32	19.20
40-14M-115	40	2F	C	175.49	178.25	192	135	-	133	148.0	32	20.56
44-14M-115	44	2F	C	193.28	196.08	211	140	-	133	148.0	32	21.93
48-14M-115	48	2F	C	211.11	213.90	226	150	-	133	148.0	32	25.00
56-14M-115	56	2F	C	246.76	249.55	265	150	-	133	148.0	32	27.50
64-14M-115	64	6F	C	282.41	285.21	296	150	242	133	133.0	32	30.10
72-14M-115	72	7	C	318.06	320.86	-	150	278	133	133.0	32	32.83
80-14M-115	80	7	C	353.71	356.51	-	150	314	133	133.0	32	35.55
90-14M-115	90	7	C	398.28	401.07	-	150	358	133	133.0	32	41.00
112-14M-115	112	7	C	496.32	499.11	-	150	456	133	133.0	32	54.40
144-14M-115	144	7	C	638.92	641.71	-	165	600	133	133.0	32	67.80
168-14M-115	168	7	C	745.87	748.66	-	165	706	133	133.0	32	75.80
192-14M-115	192	7	C	852.82	855.62	-	165	813	133	133.0	32	88.30
216-14M-115	216	7	C	959.76	962.57	-	165	920	133	133.0	32	98.00



### 14mm Pitch 14M-170 (170mm Wide Belt)

Product Designation	Number of Teeth	Type	Material	De	Dp	Df	Dm	Di	F	L	d	Mass kg
28-14M-170	28	2F	C	122.12	124.78	128	100	-	187	202.0	32	13.80
29-14M-170	29	2F	C	126.57	129.23	142	100	-	187	202.0	32	14.20
30-14M-170	30	2F	C	130.99	133.69	142	100	-	187	202.0	32	15.60
32-14M-170	32	2F	C	139.88	142.60	158	100	-	187	202.0	32	18.10
34-14M-170	34	2F	C	148.79	151.52	158	100	-	187	202.0	32	20.40
36-14M-170	36	2F	C	157.68	160.43	168	120	-	187	202.0	32	23.50
38-14M-170	38	2F	C	166.60	169.34	184	135	-	187	202.0	32	26.50
40-14M-170	40	2F	C	175.49	178.25	192	135	-	187	202.0	32	30.10
44-14M-170	44	2F	C	193.28	196.08	211	160	-	187	202.0	32	37.80
48-14M-170	48	2F	C	211.11	213.90	226	160	-	187	202.0	32	44.50
56-14M-170	56	2F	C	246.76	249.55	265	160	-	187	202.0	32	61.00
64-14M-170	64	2F	C	282.41	285.21	296	180	-	187	202.0	32	81.00
72-14M-170	72	7	C	318.06	320.86	-	180	278	187	187.0	32	61.40
80-14M-170	80	7	C	353.71	356.51	-	180	314	187	187.0	32	65.00
90-14M-170	90	7	C	398.28	401.07	-	180	358	187	187.0	38	68.00
112-14M-170	112	7	C	496.32	499.11	-	200	456	187	187.0	38	87.50
144-14M-170	144	7	C	638.92	641.71	-	220	600	187	187.0	38	114.00
168-14M-170	168	7	C	745.87	748.66	-	220	706	187	187.0	38	125.00
192-14M-170	192	7	C	852.82	855.62	-	220	813	187	187.0	38	136.40
216-14M-170	216	7	C	959.76	962.57	-	220	920	187	187.0	38	147.00

Every effort has been taken to ensure that the data listed in this catalogue is correct. Challenge accepts no liability for any inaccuracies or damage caused. All dimensions in millimetres unless otherwise stated.