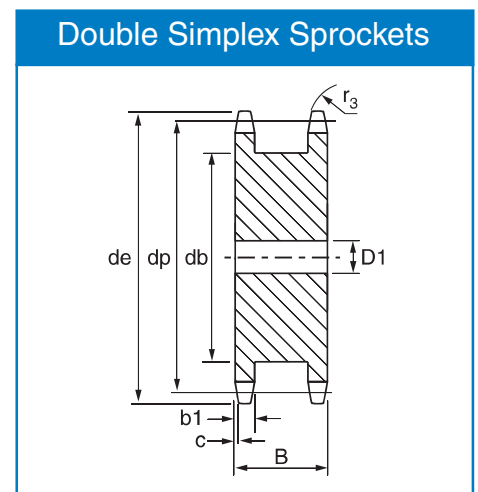


# Double Simplex Sprockets

## Pilot Bore Double Simplex Sprockets

06B		3/8" x 7/32"			
SPROCKET		mm			
Tooth Radius $r_3$		10.00			
Chamfer c		1.00			
Tooth Width b1		5.3			
Teeth	Outer Dia $d_e$	Pitch Dia $d_p$	Width B	Hub Dia $d_b$	Stock Bore D1
14	46.3	42.80	23.5	31	10
15	49.3	54.81	23.5	34	10
16	52.3	48.82	23.5	37	10
17	55.3	51.83	23.5	40	10
18	58.3	54.85	23.5	43	10
19	61.3	57.87	23.5	46	10
20	64.3	60.89	23.5	48	10
21	68.0	63.91	23.5	52	10



08B		1/2" x 5/16"			
SPROCKET		mm			
Tooth Radius $r_3$		13.00			
Chamfer c		1.30			
Tooth Width b1		7.20			
Teeth	Outer Dia $d_e$	Pitch Dia $d_p$	Width B	Hub Dia $d_b$	Stock Bore D1
12	53.0	49.07	31	35	12
13	57.4	53.06	31	38	12
14	61.8	57.07	31	41	12
15	65.6	61.09	31	45	12
16	69.5	65.10	31	49	12
17	73.6	69.11	31	53	12
18	77.8	73.14	31	58	12
19	81.7	77.16	31	62	12
20	85.8	81.19	31	66	12
21	89.7	85.22	31	70	18
23	98.2	93.27	31	78	18

10B		5/8" x 3/8"			
SPROCKET		mm			
Tooth Radius $r_3$		16.00			
Chamfer c		1.60			
Tooth Width b1		9.20			
Teeth	Outer Dia $d_e$	Pitch Dia $d_p$	Width B	Hub Dia $d_b$	Stock Bore D1
12	68.0	61.34	36.5	45	19
13	73.0	66.32	36.5	50	19
14	78.0	71.34	36.5	55	19
15	83.0	76.36	36.5	60	19
16	88.0	81.37	36.5	65	19
17	93.0	86.39	36.5	70	19
18	98.3	91.42	36.5	75	19
19	103.3	96.45	36.5	80	19
20	108.4	101.49	36.5	85	19
21	113.4	106.52	36.5	90	19
23	123.4	116.58	36.5	100	19

12B		3/4" x 7/16"			
SPROCKET		mm			
Tooth Radius $r_3$		19.00			
Chamfer c		2.00			
Tooth Width b1		11.20			
Teeth	Outer Dia $d_e$	Pitch Dia $d_p$	Width B	Hub Dia $d_b$	Stock Bore D1
12	81.5	73.61	45	53	24
13	87.5	79.59	45	59	24
14	93.6	85.61	45	65	24
15	99.8	91.63	45	71	24
16	105.5	97.65	45	77	24
17	111.5	103.67	45	83	24
18	118.0	109.71	45	89	24
19	124.2	115.75	45	95	24
20	129.7	121.78	45	101	24
21	136.0	127.82	45	107	24
23	149.0	139.90	45	119	24

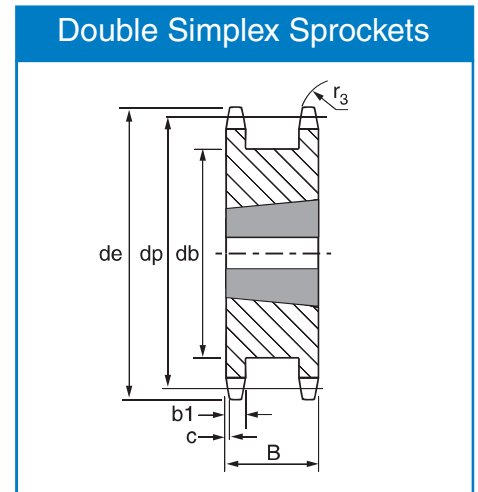
16B		1" x 17.02 mm			
SPROCKET		mm			
Tooth Radius $r_3$		26.00			
Chamfer c		2.50			
Tooth Width b1		16.20			
Teeth	Outer Dia $d_e$	Pitch Dia $d_p$	Width B	Hub Dia $d_b$	Stock Bore D1
12	109.0	98.14	63.5	72	25
13	117.0	106.12	63.5	81	25
14	125.0	114.15	63.5	88	25
15	133.0	122.17	63.5	97	25
16	141.0	130.20	63.5	104	25
17	149.0	138.22	63.5	113	25
18	157.0	146.28	63.5	121	25
19	165.2	154.33	63.5	129	25

Every effort has been taken to ensure that the data listed in this catalogue is correct. Challenge accepts no liability for any inaccuracies or damage caused. All dimensions in millimetres unless otherwise stated.

# Double Simplex Sprockets

## Taper Bore Double Simplex Sprockets

06B		3/8" x 7/32"			
SPROCKET		mm			
Tooth Radius $r_3$		10.00			
Chamfer c		1.00			
Tooth Width b1		5.3			
Teeth	Outer Dia de	Pitch Dia dp	Width B	Hub Dia db	Taper Bush
18	58.3	54.85	23.5	43	1008
19	61.3	57.87	23.5	46	1008
20	64.3	60.89	23.5	48	1108
21	68.0	63.91	23.5	52	1108
23	73.5	69.95	23.5	58	1108
25	80.0	76.00	23.5	64	1108



08B		1/2" x 5/16"			
SPROCKET		mm			
Tooth Radius $r_3$		13.00			
Chamfer c		1.30			
Tooth Width b1		7.20			
Teeth	Outer Dia de	Pitch Dia dp	Width B	Hub Dia db	Taper Bush
15	65.5	61.09	31	45	1008
16	69.5	65.10	31	49	1108
17	73.6	69.11	31	53	1108
18	77.8	73.14	31	58	1210
19	81.7	77.16	31	62	1210
20	85.8	81.19	31	66	1210
21	89.7	85.22	31	70	1610
23	98.2	93.27	31	78	1610
25	105.8	101.33	31	86	2012

10B		5/8" x 3/8"			
SPROCKET		mm			
Tooth Radius $r_3$		16.00			
Chamfer c		1.60			
Tooth Width b1		9.20			
Teeth	Outer Dia de	Pitch Dia dp	Width B	Hub Dia db	Taper Bush
12	68.0	61.34	36.5	45	1108
13	73.0	66.32	36.5	50	1108
14	78.0	71.34	36.5	55	1108
15	83.0	76.36	36.5	60	1210
16	88.0	81.37	36.5	65	1210
17	93.0	86.39	36.5	70	1610
18	98.3	91.42	36.5	75	1610
19	103.3	96.45	36.5	80	1610
20	108.4	101.49	36.5	85	1610
21	113.4	106.52	36.5	90	2012
23	123.4	116.58	36.5	100	2012
25	134.0	126.66	36.5	110	2012

12B		3/4" x 7/16"			
SPROCKET		mm			
Tooth Radius $r_3$		19.00			
Chamfer c		2.00			
Tooth Width b1		11.20			
Teeth	Outer Dia de	Pitch Dia dp	Width B	Hub Dia db	Taper Bush
13	87.5	79.59	45	59	1210
14	93.6	85.61	45	65	1210
15	99.8	91.63	45	71	1610
16	105.5	97.65	45	77	1610
17	111.5	103.67	45	83	1610
18	118.0	109.71	45	89	2012
19	124.2	115.75	45	95	2012
20	129.7	121.78	45	101	2517
21	136.0	127.82	45	107	2517
23	149.0	139.90	45	119	2517
25	160.0	152.00	45	131	2517

16B		1" x 17.02 mm			
SPROCKET		mm			
Tooth Radius $r_3$		26.00			
Chamfer c		2.50			
Tooth Width b1		16.20			
Teeth	Outer Dia de	Pitch Dia dp	Width B	Hub Dia db	Taper Bush
12	109.0	98.14	63.5	72	1615
13	117.0	106.12	63.5	81	1615
14	125.0	114.15	63.5	88	2012
15	133.0	122.17	63.5	97	2012
16	141.0	130.20	63.5	104	2012
17	149.0	138.22	63.5	113	2517
18	157.0	146.28	63.5	121	2517
19	165.2	154.33	63.5	129	2517
20	173.2	162.38	63.5	137	3020
21	181.2	170.43	63.5	145	3020
23	197.5	186.53	63.5	161	3525
25	213.5	202.66	63.5	177	3525

All dimensions in millimetres unless otherwise stated. Every effort has been taken to ensure that the data listed in this catalogue is correct. Challenge accepts no liability for any inaccuracies or damage caused.