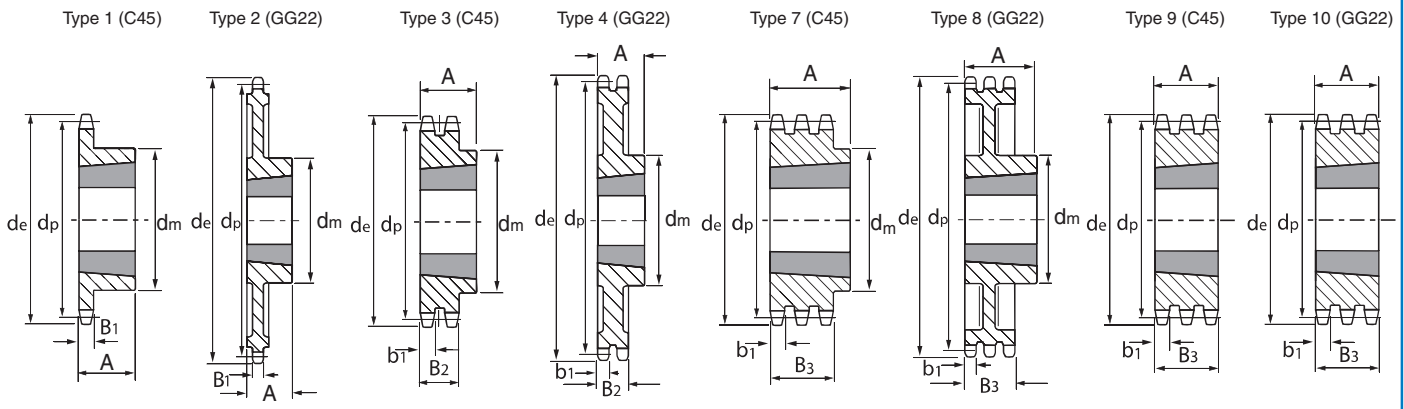
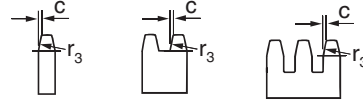


Taper Bore Sprockets

BS Taper Bore Sprockets

06B 3/8" x 7/32"

SPROCKET	mm	CHAIN	mm
Tooth Radius r_3	10.0	Pitch	9.525
Chamfer c	1.0	Width Between Inner Plates	5.720
Tooth Width b_1	5.2	Roller Diameter	6.350
Tooth Width B_1	5.3		
Tooth Width B_2	15.4		
Tooth Width B_3	25.6		



Teeth	Outer Dia d_e	Pitch Dia d_p	Simplex					Duplex					Triplex				
			Ref	Hub Dia d_m	Length thro' Bore A	Taper	Type	Ref	Hub Dia d_m	Length thro' Bore A	Taper	Type	Ref	Hub Dia d_m	Length thro' Bore A	Taper	Type
17	55.3	51.83	31-17	45	22	1008	1	32-17	41	22	1008	3	33-17	-	25.6	1008	9
18	58.3	54.85	31-18	45	22	1008	1	32-18	43	22	1008	3					
19	61.3	57.87	31-19	45	22	1008	1	32-19	46	22	1008	3	33-19	-	25.6	1008	9
20	64.3	60.89	31-20	46	22	1008	1	32-20	48	22	1008	3					
21	68.0	63.91	31-21	46	22	1008	1	32-21	49	22	1008	3	33-21	-	25.6	1008	9
22	71.0	66.93	31-22	50	22	1108	1	32-22	52	22	1108	3					
23	73.5	69.95	31-23	63	25	1210	1	32-23	59	25	1210	3	33-23	-	25.6	1210	9
24	77.0	72.97	31-24	63	25	1210	1	32-24	61	25	1210	3					
25	80.0	76.02	31-25	63	25	1210	1	32-25	64	25	1210	3	33-25	-	25.6	1210	9
26	83.0	79.02	31-26	63	25	1210	1	32-26	65	25	1210	3					
27	86.0	82.02	31-27	63	25	1210	1	32-27	70	25	1210	3	33-27	-	25.6	1210	9
28	89.0	85.07	31-28	63	25	1210	1	32-28	70	25	1210	3					
30	94.7	91.12	31-30	63	25	1210	1	32-30	75	25	1210	3	33-30	79.0	38.0	1615	7
38	119.5	115.35	31-38	70	25	1210	1	32-38	80	25	1610	3	33-38	90.0	36.0	1615	7
45	140.7	136.55	31-45	70	25	1210	1	32-45	80	25	1610	3					
38	119.5	115.35	31-38	70	25	1210	2	32-38	80	25	1610	4	33-38	-	25.6	1610	10
45	140.7	136.55	31-45	70	25	1210	2	32-45	80	25	1610	4	33-45	-	25.6	1610	10
57	176.9	172.91	31-57	70	25	1210	2	32-57	80	25	1610	4	33-57	-	25.6	1610	10
76	234.9	230.49	31-76	70	25	1210	2	32-76	80	25	1610	4	33-76	-	25.6	1610	10
95	292.5	288.08	31-95	80	25	1210	2	32-95	90	25	1610	4					
114	349.6	345.68	31-114	80	25	1610	2	32-114	95	32	2012	4	33-114	95.0	32.0	2012	8

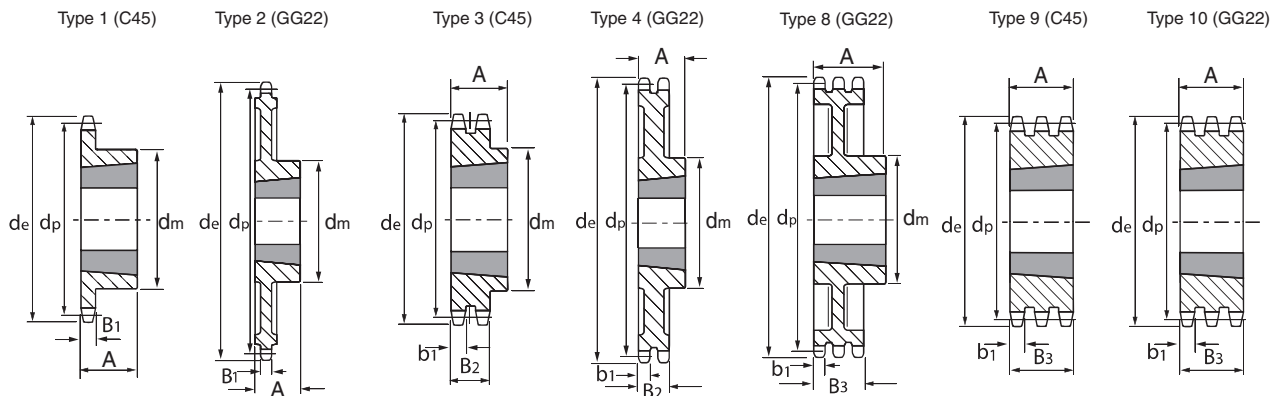
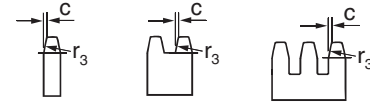
All dimensions in millimetres unless otherwise stated. Every effort has been taken to ensure that the data listed in this catalogue is correct. Challenge accepts no liability for any inaccuracies or damage caused.

Taper Bore Sprockets

BS Taper Bore Sprockets

08B 1/2" x 5/16"

SPROCKET	mm	CHAIN	mm
Tooth Radius r_3	13.0	Pitch	12.700
Chamfer c	1.3	Width Between Inner Plates	7.750
Tooth Width b_1	7.0	Roller Diameter	8.510
Tooth Width B_1	7.2		
Tooth Width B_2	21.0		
Tooth Width B_3	34.9		



Teeth	Outer Dia d_e	Pitch Dia d_p	Simplex					Duplex					Triplex					
			Ref	Hub Dia d_m	Length thro' Bore	Taper	Type	Ref	Hub Dia d_m	Length thro' Bore	Taper	Type	Ref	Hub Dia d_m	Length thro' Bore	Taper	Type	
14	61.8	57.07	41-14	45	22	1008	1											
15	65.5	61.90	41-15	45	22	1008	1	42-15	46	22	1008	3	43-15	-	34.9	1008	9	
16	69.5	65.10	41-16	50	22	1108	1	42-16	50	22	1108	3						
17	73.6	69.11	41-17	60	25	1210	1	42-17	56	25	1210	3	43-17	-	34.9	1210	9	
18	77.8	73.14	41-18	60	25	1210	1	42-18	60	25	1210	3						
19	81.7	77.16	41-19	63	25	1210	1	42-19	62	25	1210	3	43-19	-	34.9	1210	9	
20	85.8	81.19	41-20	71	25	1610	1	42-20	66	25	1610	3						
21	89.7	85.22	41-21	71	25	1610	1	42-21	70	25	1610	3	43-21	-	34.9	1610	9	
22	93.8	89.24	41-22	71	25	1610	1	42-22	76	25	1610	3						
23	98.2	93.27	41-23	76	25	1610	1	42-23	79	25	1610	3	43-23	-	34.9	1610	9	
24	101.8	97.29	41-24	76	25	1610	1	42-24	84	25	1610	3						
25	105.8	101.33	41-25	76	25	1610	1	42-25	87	32	2012	3	43-25	-	34.9	2012	9	
26	110.0	105.36	41-26	76	25	1610	1	42-26	87	32	2012	3						
27	114.0	109.40	41-27	76	25	1610	1	42-27	87	32	2012	3	43-27	-	34.9	2012	9	
28	118.0	113.42	41-28	90	32	2012	1	42-28	87	32	2012	3						
30	126.1	121.50	41-30	90	32	2012	1	42-30	87	32	2012	3	43-30	-	34.9	2012	9	
38	158.6	153.80	41-38	90	32	2012	1	42-38	100	32	2012	3	43-38	-	34.9	2012	9	
45	188.0	182.07	41-45	100	32	2012	1											
38	158.6	153.80	41-38	95	32	2012	2	42-38	95	32	2012	4	43-38	-	34.9	2012	10	
45	188.0	182.07	41-45	95	32	2012	2	42-45	100	32	2012	4	43-45	95	34.9	2012	8	
57	236.4	230.54	41-57	100	32	2012	2	42-57	100	32	2012	4	43-57	95	34.9	2012	8	
76	313.3	307.33	41-76	100	32	2012	2	42-76	100	32	2012	4	43-76	95	34.9	2012	8	
95	390.1	384.11	41-95	100	32	2012	2	42-95	100	32	2012	4	43-95	95	34.9	2012	8	
114	400.9	460.90	41-114	110	45	2517	2	42-114	110	45	2517	4						

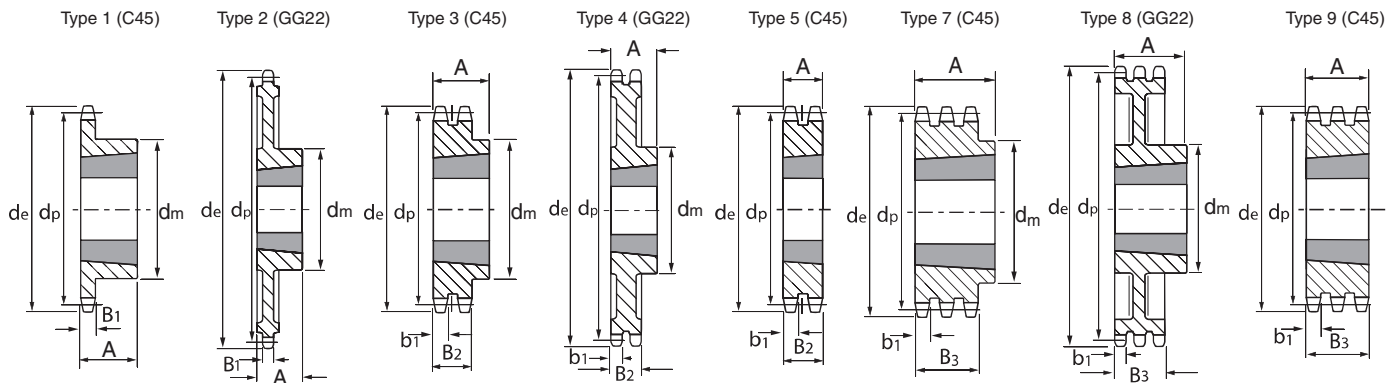
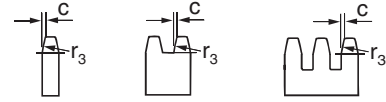
Every effort has been taken to ensure that the data listed in this catalogue is correct. Challenge accepts no liability for any inaccuracies or damage caused. All dimensions in millimetres unless otherwise stated.

Taper Bore Sprockets

BS Taper Bore Sprockets

10B 5/8" x 3/8"

SPROCKET	mm	CHAIN	mm
Tooth Radius r_3	16.0	Pitch	15.875
Chamfer c	1.6	Width Between Inner Plates	9.650
Tooth Width b_1	9.0	Roller Diameter	10.160
Tooth Width B_1	9.1		
Tooth Width B_2	25.5		
Tooth Width B_3	42.1		



Teeth	Outer Dia d_e	Pitch Dia d_p	Simplex					Duplex					Triplex					
			Ref	Hub Dia d_m	Length thro' Bore A	Taper Bush	Type	Ref	Hub Dia d_m	Length thro' Bore A	Taper Bush	Type	Ref	Hub Dia d_m	Length thro' Bore A	Taper Bush	Type	
13	73.0	66.32	51-13	47	22	1008	1											
14	78.0	71.34	51-14	52	22	1108	1											
15	83.0	76.36	51-15	60	25	1210	1	52-15	-	25.5	1210	5	53-15	-	42.1	1210	9	
16	88.0	81.37	51-16	70	25	1610	1	52-16	-	25.5	1610	5						
17	93.0	86.36	51-17	71	25	1610	1	52-17	-	25.5	1610	5	53-17	-	42.1	1210	9	
18	98.3	91.42	51-18	75	25	1610	1	52-18	-	25.5	1610	5						
19	103.3	96.45	51-19	75	25	1610	1	52-19	-	25.5	1610	5	53-19	-	42.1	1615	9	
20	108.4	101.49	51-20	75	25	1610	1	52-20	-	25.5	1610	5						
21	113.4	106.52	51-21	76	25	1610	1	52-21	-	25.5	1610	5	53-21	-	42.1	1615	9	
22	118.0	111.55	51-22	76	25	1610	1	52-22	-	25.5	1610	5						
23	123.4	116.58	51-23	76	25	1610	1	52-23	-	25.5	1610	5	53-23	-	42.1	2012	9	
24	128.3	121.62	51-24	90	25	1610	1	52-24	90	32	2012	3						
25	134.0	126.66	51-25	90	32	2012	1	52-25	90	32	2012	3	53-25	105	45	2517	7	
26	139.0	131.70	51-26	90	32	2012	1	52-26	90	32	2012	3						
27	144.0	136.75	51-27	90	32	2012	1	52-27	90	32	2012	3	53-27	110	45	2517	7	
28	148.7	141.78	51-28	90	32	2012	1	52-28	90	32	2012	3						
30	158.8	151.87	51-30	90	32	2012	1	52-30	90	32	2012	3	53-30	120	45	2517	7	
38	199.2	192.24	51-38	100	32	2012	1	52-38	110	45	2517	3	53-38	110	45	2517	7	
45	235.0	227.58	51-45	100	32	2012	2	52-45	110	45	2517	4	53-45	110	45	2517	8	
57	296.0	288.18	51-57	100	32	2012	2	52-57	110	45	2517	4	53-57	110	45	2517	8	
76	392.1	384.16	51-76	100	32	2012	2	52-76	110	45	2517	4	53-76	110	45	2517	8	
95	488.5	480.14	51-95	110	45	2517	2	52-95	110	45	2517	4						
114	584.1	576.13	51-114	110	45	2517	2	52-114	110	45	2517	4						

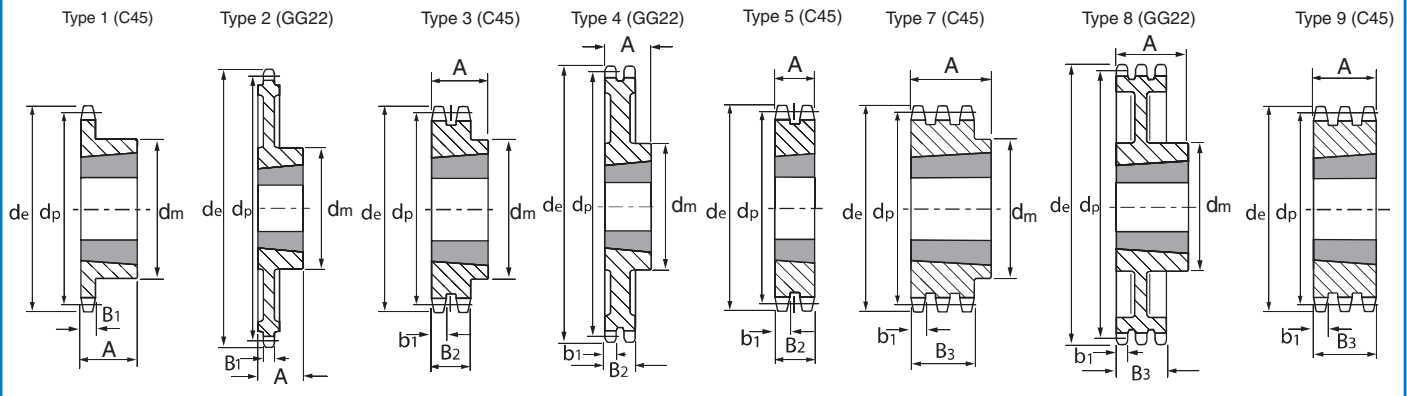
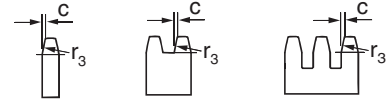
All dimensions in millimetres unless otherwise stated. Every effort has been taken to ensure that the data listed in this catalogue is correct. Challenge accepts no liability for any inaccuracies or damage caused.

Taper Bore Sprockets

BS Taper Bore Sprockets

12B 3/4" x 7/16"

SPROCKET	mm	CHAIN	mm
Tooth Radius r_3	19.0	Pitch	19.050
Chamfer c	2.0	Width Between Inner Plates	11.680
Tooth Width b1	10.8	Roller Diameter	12.070
Tooth Width B1	11.1		
Tooth Width B2	30.3		
Tooth Width B3	49.8		



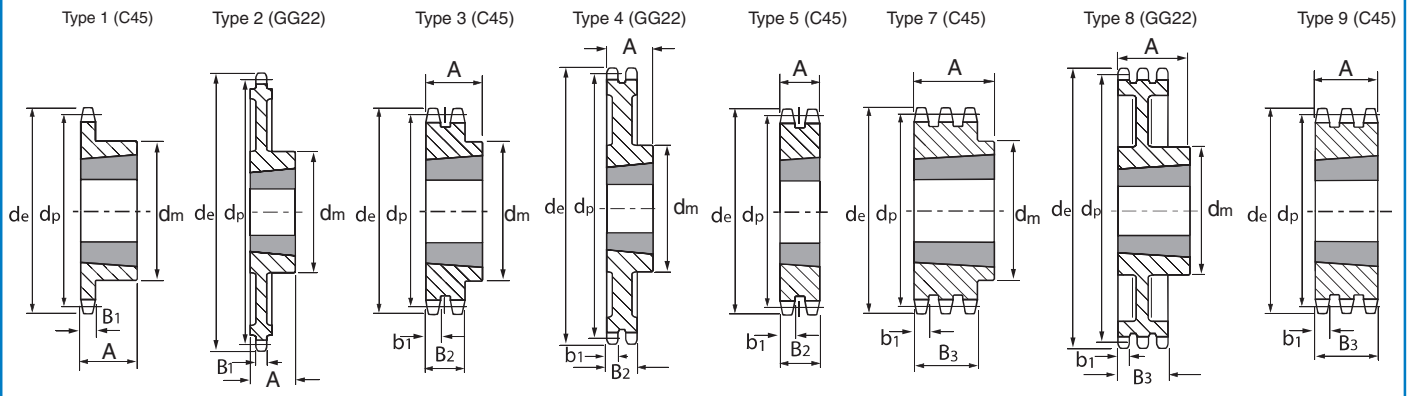
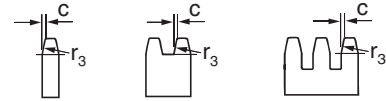
Teeth	Outer Dia de	Pitch Dia dp	Simplex					Duplex					Triplex					
			Ref	Hub Dia dm	Length thro' Bore A	Taper	Type	Ref	Hub Dia dm	Length thro' Bore A	Taper	Type	Ref	Hub Dia dm	Length thro' Bore A	Taper	Type	
13	87.5	79.59	61-13	60	25	1210	1											
14	93.6	85.61	61-14	70	25	1610	1											
15	99.8	91.63	61-15	70	25	1610	1	62-15	-	30.3	1610	5	63-15	-	49.8	1615	9	
16	105.5	97.65	61-16	75	25	1610	1	62-16	-	30.3	1610	5						
17	111.5	103.67	61-17	76	25	1610	1	62-17	-	30.3	1610	5	63-17	-	49.8	1615	9	
18	118.0	109.71	61-18	90	32	2012	1	62-18	90	32	2012	3						
19	124.2	115.75	61-19	90	32	2012	1	62-19	90	32	2012	3	63-19	-	49.8	2012	9	
20	129.7	121.78	61-20	90	32	2012	1	62-20	108	45	2517	3						
21	136.0	127.82	61-21	102	45	2517	1	62-21	108	45	2517	3	63-21	-	49.8	2517	9	
22	141.8	133.86	61-22	102	45	2517	1	62-22	108	45	2517	3						
23	149.0	139.90	61-23	108	45	2517	1	62-23	108	45	2517	3	63-23	-	49.8	2517	9	
24	153.9	145.94	61-24	108	45	2517	1	62-24	108	45	2517	3						
25	160.0	152.00	61-25	108	45	2517	1	62-25	108	45	2517	3	63-25	-	49.8	2517	9	
26	165.9	158.04	61-26	108	45	2517	1	62-26	108	45	2517	3						
27	172.3	164.00	61-27	108	45	2517	1	62-27	108	45	2517	3	63-27	140	51	3020	7	
28	178.0	170.13	61-28	108	45	2517	1	62-28	108	45	2517	3						
30	190.5	182.25	61-30	108	45	2517	1	62-30	108	45	2517	3	63-30	140	51	3020	7	
38	239.0	230.69	61-38	108	45	2517	1	62-38	140	51	3020	3	63-38	140	51	3020	7	
30	190.5	182.25	61-30	108	45	2517	2											
38	239.0	230.69	61-38	110	45	2517	2	62-38	140	51	3020	4	63-38	140	51	3020	8	
45	282.5	273.10	61-45	108	45	2517	2	62-45	140	51	3020	4	63-45	140	51	3020	8	
57	355.4	345.81	61-57	108	45	2517	2	62-57	140	51	3020	4	63-57	140	51	3020	8	
76	469.9	460.99	61-76	108	45	2517	2	62-76	140	51	3020	4	63-76	140	51	3020	8	
95	585.1	576.17	61-95	108	45	2517	2	62-95	140	51	3020	4	63-95	140	76	3030	8	
114	700.6	691.36	61-114	140	51	3020	2	62-114	140	76	3030	4	63-114	165	89	3535	8	

Taper Bore Sprockets

BS Taper Bore Sprockets

16B 1" x 17.02 mm

SPROCKET	mm	CHAIN	mm
Tooth Radius r_3	26.0	Pitch	25.400
Chamfer c	2.5	Width Between Inner Plates	17.020
Tooth Width b_1	15.8	Holler Diameter	15.880
Tooth Width B1	16.2		
Tooth Width B2	47.7		
Tooth Width B3	79.6		



Teeth	Outer Dia d_e	Pitch Dia d_p	Simplex					Duplex					Triplex					
			Ref	Hub Dia d_m	Length thro' Bore	Taper	Type	Ref	Hub Dia d_m	Length thro' Bore	Taper	Type	Ref	Hub Dia d_m	Length thro' Bore	Taper	Type	
13	117.0	106.12	81-13	73	38	1615	1											
14	125.0	114.15	81-14	76	38	1615	1											
15	133.0	122.17	81-15	76	38	1615	1	82-15	-	47.7	2012	5						
16	141.0	130.20	81-16	90	32	2012	1	82-16	-	47.7	2517	5						
17	149.0	138.22	81-17	90	32	2012	1	82-17	-	47.7	2517	5	83-17	-	79.6	2517	9	
18	157.0	146.28	81-18	108	45	2517	1	82-18	-	47.7	2517	5						
19	165.2	154.33	81-19	108	45	2517	1	82-19	-	47.7	2517	5	83-19	-	79.6	3030	9	
20	173.2	162.38	81-20	108	45	2517	1	82-20	-	47.7	2517	5						
21	181.2	170.43	81-21	110	45	2517	1	82-21	140	51	3020	3	83-21	-	79.6	3030	9	
22	189.3	178.48	81-22	110	45	2517	1	82-22	140	51	3020	3						
23	197.5	186.53	81-23	110	45	2517	1	82-23	140	51	3020	3	83-23	159.0	89	3535	7	
24	205.5	194.59	81-24	110	45	2517	1	82-24	140	51	3020	3						
25	213.5	202.66	81-25	110	45	2517	1	82-25	140	51	3020	3	83-25	175.0	89	3535	7	
26	221.6	210.72	81-26	110	45	2517	1	82-26	140	51	3020	3						
27	229.6	218.79	81-27	110	45	2517	1	82-27	140	51	3020	3	83-27	175.0	89	3535	7	
28	237.7	226.85	81-28	110	45	2517	1	82-28	140	51	3020	3						
30	254.0	243.00	81-30	140	51	3020	1	82-30	140	76	3030	3	83-30	175.0	89	3535	7	
38	320.7	307.59	81-38	140	51	3020	2	82-38	140	76	3030	4	83-38	175.0	89	3535	8	
45	377.1	364.13	81-45	140	51	3020	2	82-45	140	76	3030	4	83-45	215.0	102	4040	8	
57	474.0	461.07	81-57	140	51	3020	2	82-57	175	89	3535	4	83-57	215.0	102	4040	8	
76	627.0	614.65	81-76	140	51	3020	2	82-76	175	89	3535	4	83-76	215.0	102	4040	8	
95	781.1	768.22	81-95	140	51	3020	2	82-95	215	102	4040	4						

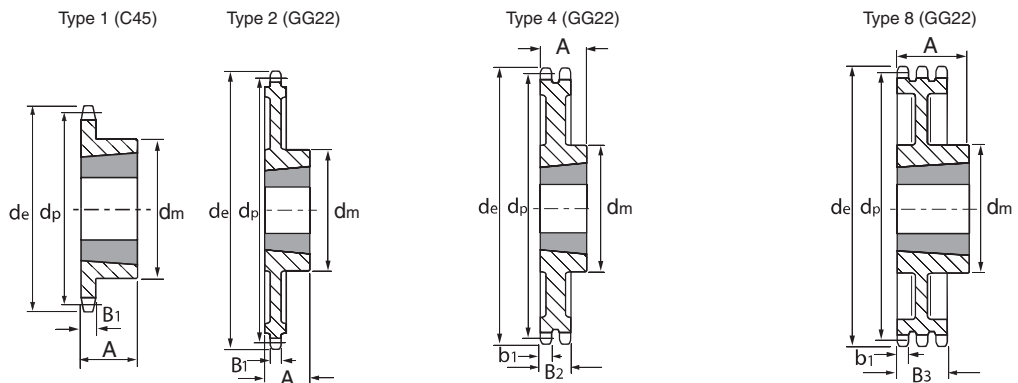
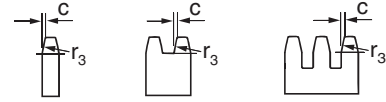
All dimensions in millimetres unless otherwise stated. Every effort has been taken to ensure that the data listed in this catalogue is correct. Challenge accepts no liability for any inaccuracies or damage caused.

Taper Bore Sprockets

BS Taper Bore Sprockets

20B 1.1/4" x 3/4"

SPROCKET	mm	CHAIN	mm
Tooth Radius r_3	32.0	Pitch	31.750
Chamfer c	3.5	Width Between Inner Plates	19.560
Tooth Width b_1	18.2	Roller Diameter	19.050
Tooth Width B_1	18.5		
Tooth Width B_2	54.6		
Tooth Width B_3	91.0		



Teeth	Outer Dia d_e	Pitch Dia d_p	Simplex					Duplex					Triplex					
			Ref	Hub Dia d_m	Length thro' Bore A	Taper	Type	Ref	Hub Dia d_m	Length thro' Bore A	Taper	Type	Ref	Hub Dia d_m	Length thro' Bore A	Taper	Type	
13	147.8	132.65	101-13	90	32	2012	1											
14	157.8	142.68	101-14	108	44	2517	1											
15	167.9	152.72	101-15	108	44	2517	1											
16	177.9	162.75	101-16	108	44	2517	1											
17	187.9	172.78	101-17	108	44	2517	1											
18	198.0	182.85	101-18	108	44	2517	1											
19	208.1	192.91	101-19	110	44	2517	1											
20	218.1	202.98	101-20	110	44	2517	1											
21	228.2	213.04	101-21	110	44	2517	1											
22	238.3	223.11	101-22	110	44	2517	1											
23	248.3	233.17	101-23	110	44	2517	1											
24	258.4	243.23	101-24	110	44	2517	1											
25	268.5	253.33	101-25	110	44	2517	1											
26	278.6	263.40	101-26	150	51	3020	1											
27	288.6	273.80	101-27	150	51	3020	1											
28	298.7	283.56	101-28	150	51	3020	1											
30	318.9	303.75	101-30	150	51	3020	1											
38	399.6	384.49	101-38	160	51	3020	2	102-38	140	54.6	3030	4	103-38	140	91	3030	8	
45	470.3	455.17	101-45	160	51	3020	2	102-45	140	54.6	3030	4	103-45	165	91	3535	8	
57	591.5	576.36	101-57	160	51	3020	2	102-57	165	89	3535	4	103-57	165	91	3535	8	
76	783.5	768.32	101-76	160	51	3020	2	102-76	175	89	3535	4	103-76	165	91	3535	8	

Every effort has been taken to ensure that the data listed in this catalogue is correct. Challenge accepts no liability for any inaccuracies or damage caused. All dimensions in millimetres unless otherwise stated.