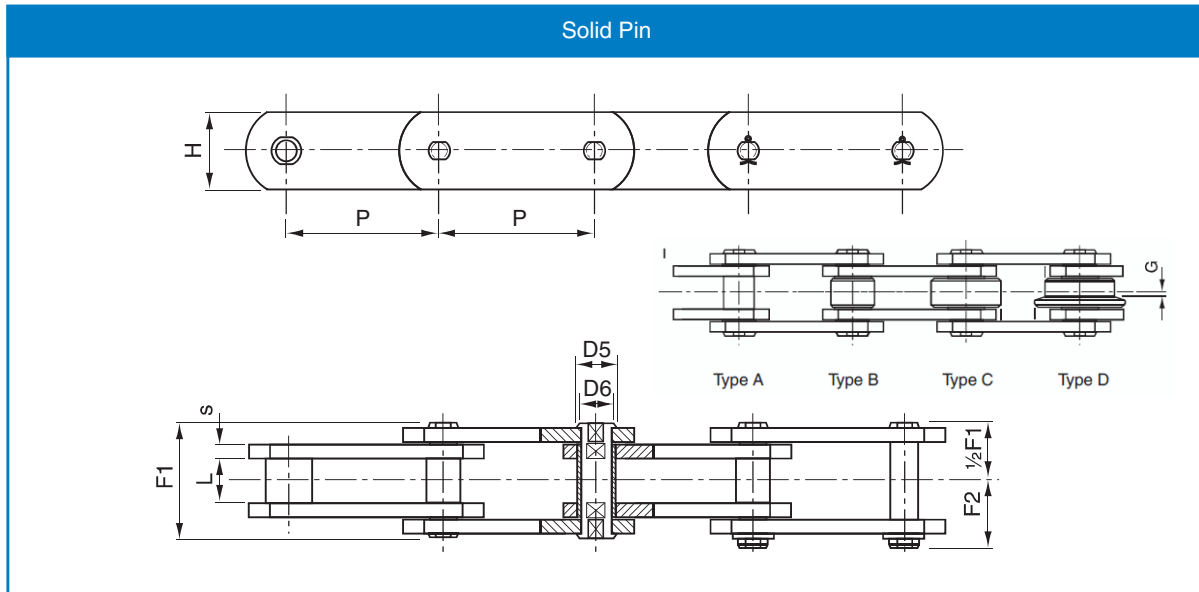


# Conveyor Chain

M Series

Metric Conveyor Chain (DIN 8167)



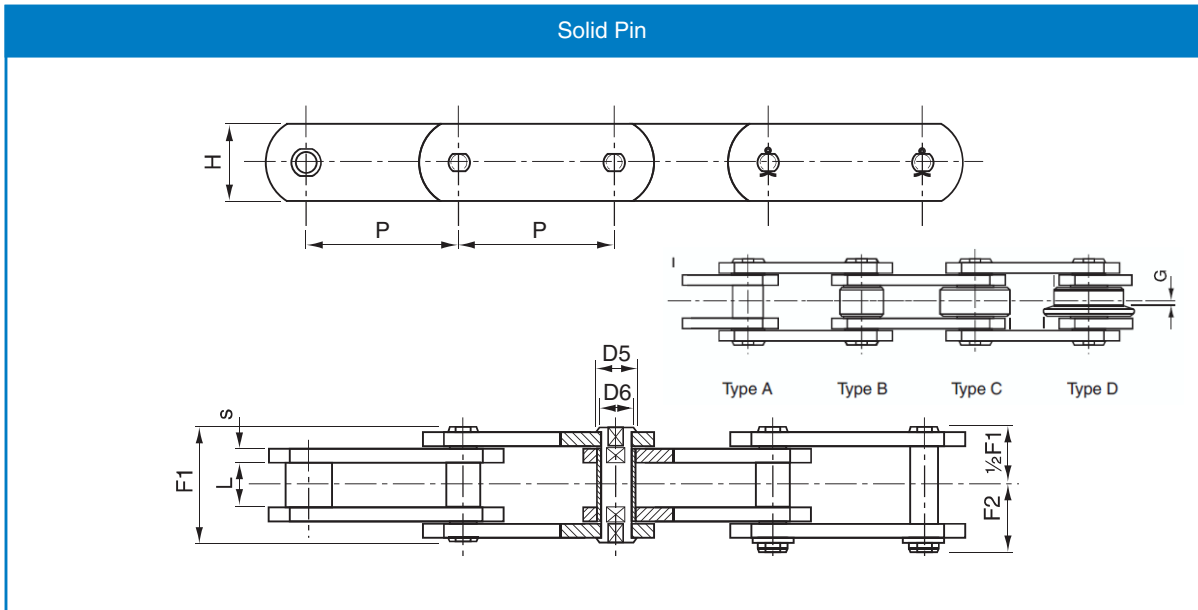
Solid Pin

Chain Number	P	L	D1	D2	D4	G	D5	D6	H	S	F1	F2	Breaking load
													kN
M 20	40	16	12.5	25	32	3.5	9	6	18	2.5	33.0	19.0	20
"	50	"	"	"	"	"	"	"	"	"	"	"	"
"	63	"	"	"	"	"	"	"	"	"	"	"	"
"	80	"	"	"	"	"	"	"	"	"	"	"	"
M28	50	18	15.0	30	36	4.0	10	7	20	3	36.0	20.5	28
"	63	"	"	"	"	"	"	"	"	"	"	"	"
"	80	"	"	"	"	"	"	"	"	"	"	"	"
"	100	"	"	"	"	"	"	"	"	"	"	"	"
M 40	63	20	18.0	36	45	4.5	11	8	25	4	40.5	24.0	40
"	80	"	"	"	"	"	"	"	"	"	"	"	"
"	100	"	"	"	"	"	"	"	"	"	"	"	"
"	125	"	"	"	"	"	"	"	"	"	"	"	"
M 56	63	24	21.0	42	50	7.0	15	10	30	4	45.0	26.0	56
"	80	"	"	"	"	"	"	"	"	"	"	"	"
"	100	"	"	"	"	"	"	"	"	"	"	"	"
"	125	"	"	"	"	"	"	"	"	"	"	"	"
"	160	"	"	"	"	"	"	"	"	"	"	"	"
M 80	80	28	25.0	50	60	7.0	18	12	35	5	54.5	30.5	80
"	100	"	"	"	"	"	"	"	"	"	"	"	"
"	125	"	"	"	"	"	"	"	"	"	"	"	"
"	160	"	"	"	"	"	"	"	"	"	"	"	"
"	200	"	"	"	"	"	"	"	"	"	"	"	"

# Conveyor Chain

**M Series**

**Metric Conveyor Chain (DIN 8167)**



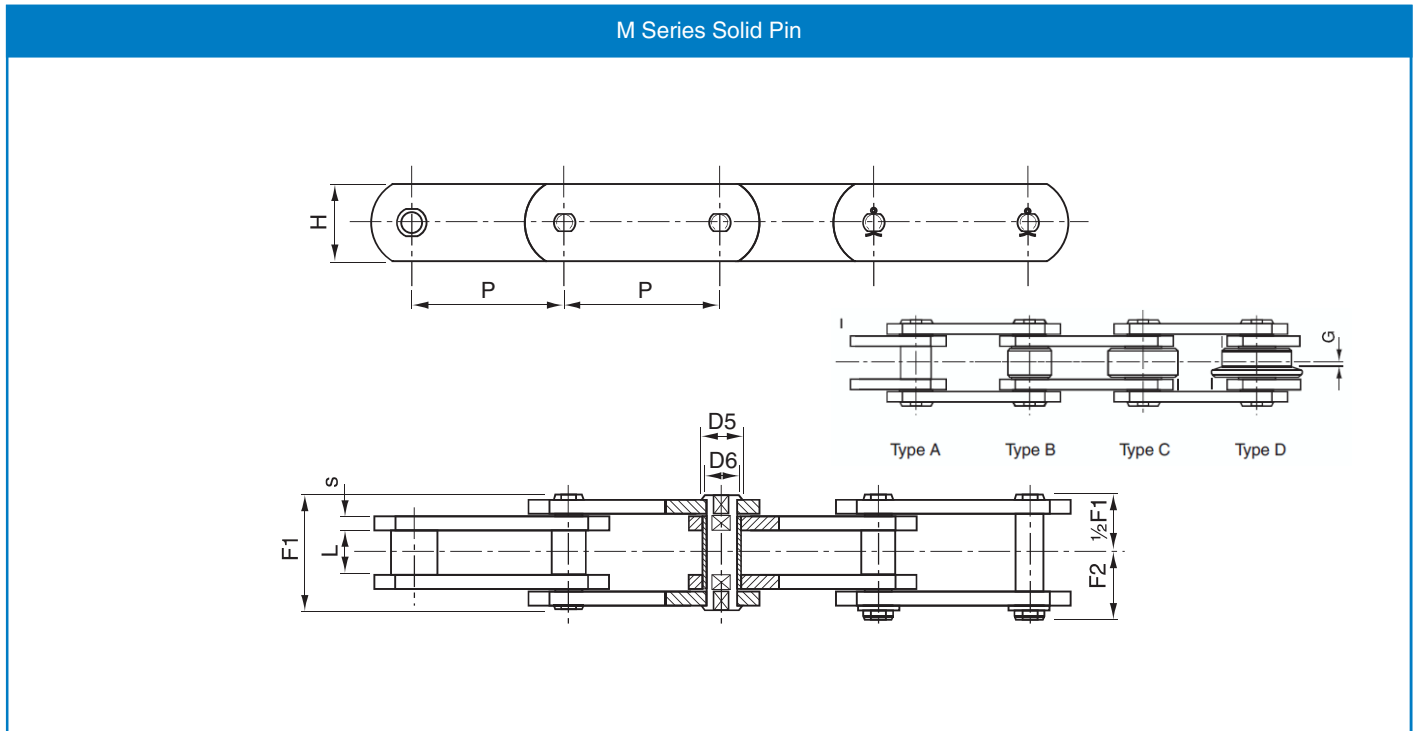
**Solid Pin**

Chain Number	P	L	D1	D2	D4	G	D5	D6	H	S	F1	F2	Breaking load kN
M 112	80	32	30	60	75	7.5	21	15	40	6	63	36.0	112
"	100	"	"	"	"	"	"	"	"	"	"	"	"
"	125	"	"	"	"	"	"	"	"	"	"	"	"
"	160	"	"	"	"	"	"	"	"	"	"	"	"
"	200	"	"	"	"	"	"	"	"	"	"	"	"
M 160	100	37	36	70	90	8.5	25	18	50	7	72	41.5	160
"	125	"	"	"	"	"	"	"	"	"	"	"	"
"	160	"	"	"	"	"	"	"	"	"	"	"	"
"	200	"	"	"	"	"	"	"	"	"	"	"	"
"	250	"	"	"	"	"	"	"	"	"	"	"	"
M 224	125	43	42	85	105	10.0	30	21	60	8	84	47.0	224
"	160	"	"	"	"	"	"	"	"	"	"	"	"
"	200	"	"	"	"	"	"	"	"	"	"	"	"
"	250	"	"	"	"	"	"	"	"	"	"	"	"
"	315	"	"	"	"	"	"	"	"	"	"	"	"
M 315	160	48	50	100	124	10.5	36	25	70	10	97	55.0	315
"	200	"	"	"	"	"	"	"	"	"	"	"	"
"	250	"	"	"	"	"	"	"	"	"	"	"	"
"	315	"	"	"	"	"	"	"	"	"	"	"	"
"	400	"	"	"	"	"	"	"	"	"	"	"	"

# Conveyor Chain

M Series

Metric Conveyor Chain (DIN 8167)



**Solid Pin**

Chain number	P	L	D1	D2	D4	G	D5	D6	H	S	F1	F2	Breaking load
													kN
M 450	200	56	60	120	149	11.5	42	30	80	12	114	67.0	450
"	250	"	"	"	"	"	"	"	"	"	"	"	"
"	315	"	"	"	"	"	"	"	"	"	"	"	"
"	400	"	"	"	"	"	"	"	"	"	"	"	"
M 630	250	67	70	140	170	15.0	50	36	100	14	137	87.5	630
"	315	"	"	"	"	"	"	"	"	"	"	"	"
"	400	"	"	"	"	"	"	"	"	"	"	"	"
"	500	"	"	"	"	"	"	"	"	"	"	"	"
M 900	250	78	85	170	210	17.0	60	44	120	16	153	95.0	900
"	315	"	"	"	"	"	"	"	"	"	"	"	"
"	400	"	"	"	"	"	"	"	"	"	"	"	"
"	500	"	"	"	"	"	"	"	"	"	"	"	"
"	600	"	"	"	"	"	"	"	"	"	"	"	"

All dimensions in millimetres unless otherwise stated. Every effort has been taken to ensure that the data listed in this catalogue is correct. Challenge accepts no liability for any inaccuracies or damage caused.